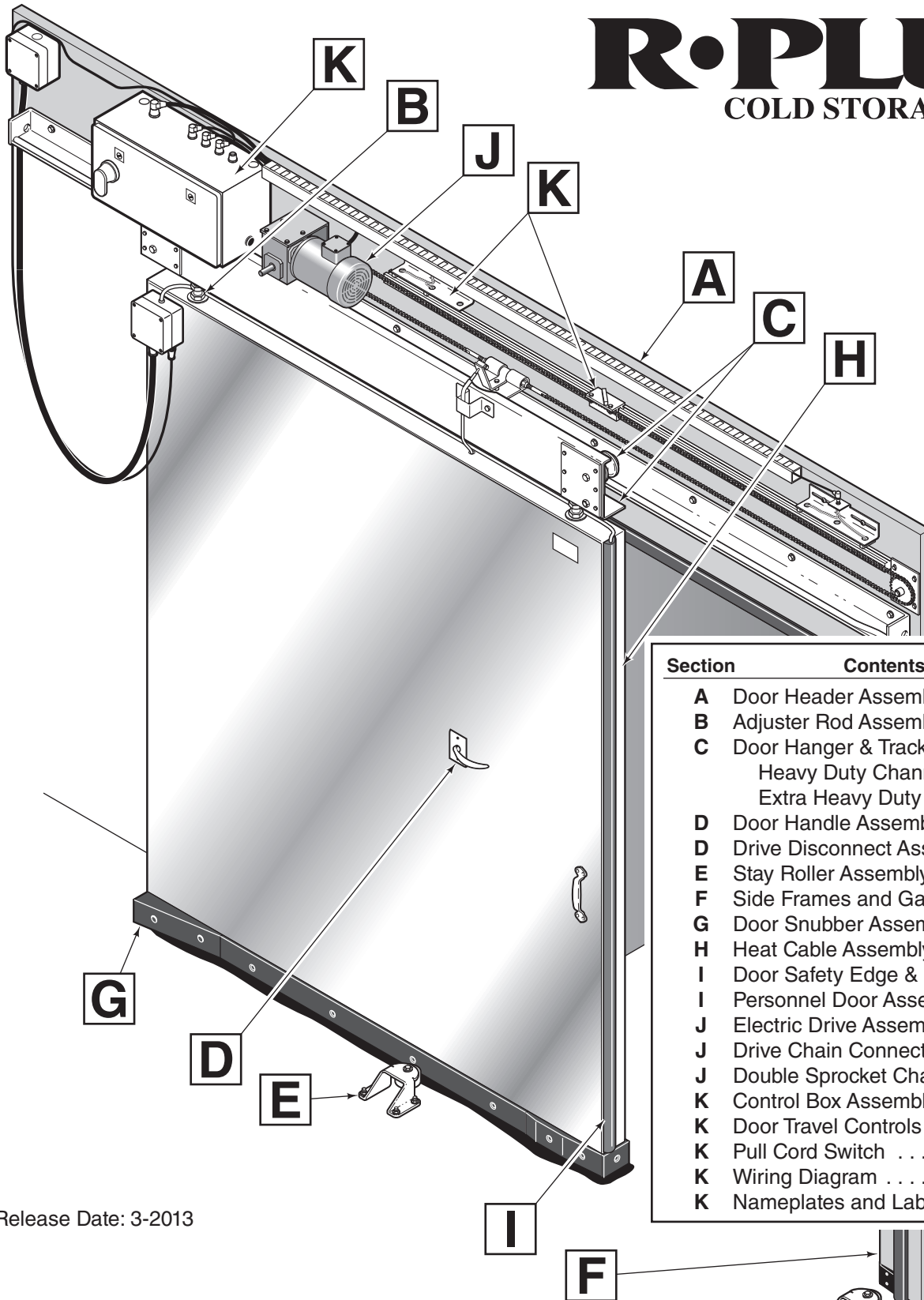


# R-PLUS

COLD STORAGE DOORS



Section	Contents	Page
A	Door Header Assembly . . . . .	4
B	Adjuster Rod Assembly . . . . .	5
C	Door Hanger & Track Rollers	
	Heavy Duty Channel . . . . .	6
	Extra Heavy Duty Angle . . . . .	7
D	Door Handle Assembly . . . . .	8
D	Drive Disconnect Assembly . . . . .	9
E	Stay Roller Assembly . . . . .	10
F	Side Frames and Gasket . . . . .	11
G	Door Snubber Assembly . . . . .	12
H	Heat Cable Assembly . . . . .	13
I	Door Safety Edge & Switch . . . . .	14
I	Personnel Door Assembly . . . . .	15
J	Electric Drive Assembly . . . . .	16
J	Drive Chain Connection (Bi-Part) . . . . .	17
J	Double Sprocket Chain Idler . . . . .	18
K	Control Box Assembly . . . . .	19
K	Door Travel Controls . . . . .	20
K	Pull Cord Switch . . . . .	21
K	Wiring Diagram . . . . .	22
K	Nameplates and Labels . . . . .	23

Release Date: 3-2013

## R-PLUS Cold Storage Doors

2271 NE 194th • Portland, Oregon 97230

Toll Free (877) 320-3599 • Fax (503) 665-2929 • [www.RPlusDoors.com](http://www.RPlusDoors.com)

## Warnings and Cautions

We have provided many important safety messages in this manual and the Installation manual about your Sliding Door. Always read and obey all safety messages.



This is the safety alert symbol.

This symbol alerts you to potential hazards that can kill, injure, or damage equipment.

All safety messages will follow the safety alert symbol and either the word “Warning” or “Caution”. These words mean:



**WARNING** You can be killed or seriously injured if you don't follow instructions.



**CAUTION** Equipment can be damaged or destroyed if you don't follow instructions.

All safety messages will tell you how to proceed to reduce the chance of death, injury, or damage to the Sliding Door.

## Important Safety Instructions

Read the Installation Manual before proceeding with repair or parts replacement. Perform maintenance tasks as indicated in the Periodic Maintenance section of the Installation manual.

To reduce the risk of fire, electrical shock, injury, death, or damage when installing or repairing the Door, follow basic precautions, including the following:



**WARNING:** Improper wiring or lack of proper ground can result in fire, electrical shock, injury or death. Disconnect power to the Door before performing any electrical repairs. Field wiring or electrical repair should be done by a licensed professional electrician. Follow all local building codes and laws for electrical installation.



**WARNING:** Control panel and anti-frost heaters operate on two different circuits. Make sure to turn power off to both circuits prior to servicing the door.



**WARNING:** All mechanical repairs made to the Sliding Door should be performed by a qualified service technician familiar with this type of door.



**WARNING:** Always keep your hands clear of the drive chain and other moving parts when door is powered or when it is to be moved manually. Avoid loose fitting or hanging clothing. An electric door can start moving automatically, such as when the auto-close timer is activated.



**WARNING:** Remove children and unnecessary adults from the area when installing or servicing the Door.



**WARNING:** In case of electrical fire, disconnect the power supply. Do not use water on electrical fires. Smother the fire with an extinguisher rated for C-class fires.



**CAUTION:** After changing any parts on the Door, always check that door tightness, anti-jump devices and safety edge sensors are adjusted and working properly.



**CAUTION:** Per NEC 300-7, all raceways passing from different temperatures shall be sealed with putty or other method to stop the travel of moisture. Furthermore, all junction box covers plates shall be sealed. Verify these seals are in place and functioning properly after performing any service on the Door.

### How to use this Manual

**Table 1: Parts List for Door Hanger and Track Roller Assembly**

REF	QTY	PART NO.	DESCRIPTION
			Track Hanger Channel Assembly
1	2	1181	Track Roller Assembly
1	1	1382	V-Groove Steel Roller, 2.94 OD x 2.186 W
1	1	-	Bushing
2	1	-	Lubricating Capscrew, w/Grease Fitting
2	1	-	Grease Fitting
4	1	-	Lockwasher, Internal Tooth, 7/16
5	1	-	Hex Nut, 7/16 -14
6	2	1606	Track Roller Bracket, 10 Ga. HDG
7	2	-	10 Ga. HDG Channel
8	1	-	Face Plate
9	2	1607	Anti-Jump Roller
9	2	1000B	Capscrew, 1/2 -13 x 2-1/2, Full Thread
10	1	-	Roller Bearing, 1-1/8 OD x 1/2 ID x 7/16
10	1	0233	Steel Spacer, 1/2 -13, Nylon Insert
12	1	-	Lock Nut, 1/2 -13, Nylon Insert
13	1	-	Capscrew, 1/4 -20 x 3/4
14	8	-	Lock Nut w/External Tooth, 1/4 -20
15	12	-	Lock Nut, 1/4 -20 x 1
16	4	-	Capscrew, 1/4 -20 x 1

**Table 2: Table of Contents for Door Header Assembly**

Section	Contents	Page
A	Door Header Assembly	4
B	Adjuster Rod Assembly	5
C	Door Hanger & Track Rollers	
	Heavy Duty Channel	6
	Extra Heavy Duty Angle	7
D	Door Handle Assembly	8
E	Drive Disconnect Assembly	9
F	Stay Roller Assembly	10
G	Side Frames and Gasket	11
H	Door Snubber Assembly	12
I	Heat Cable Assembly	13
J	Door Safety Edge & Switch	14
I	Personnel Door Assembly	15
J	Electric Drive Assembly	16
J	Drive Chain Connection (Bi-Part)	17
J	Double Sprocket Chain Idler	18
K	Control Box Assembly	19
K	Door Travel Controls	20
K	Pull Cord Switch	21
K	Wiring Diagram	22
K	Nameplates and Labels	23

**Table 3: Parts List for Door Header Assembly**

REF	QTY	PART NO.	DESCRIPTION
1	1	*	Sliding Door Header Assembly
2	1	-	Door Header
3	1	-	Door Track
4	1	0366	Neoprene Stopping Plate
5	12" o/c	-	Black Sliding Door Gasket Retainer, 1-3/8"
6	1	0368	Sheet Metal Screw, Phillips Truss Hd, #8 x 3/4"
7	24" o/c	-	Black Sliding Door Gasket (Top), Sanoprene
8	24" o/c	-	Capscrew, 3/8 -16 x 1-3/4", Hex Head
9	24" o/c	-	Lockwasher, External Tooth, 3/8"
10	24" o/c	-	Flat Washer, 3/8"
			T-Nut, 3/8 -16

\* Consult Factory to order parts. Specify Door Size and Serial Number.

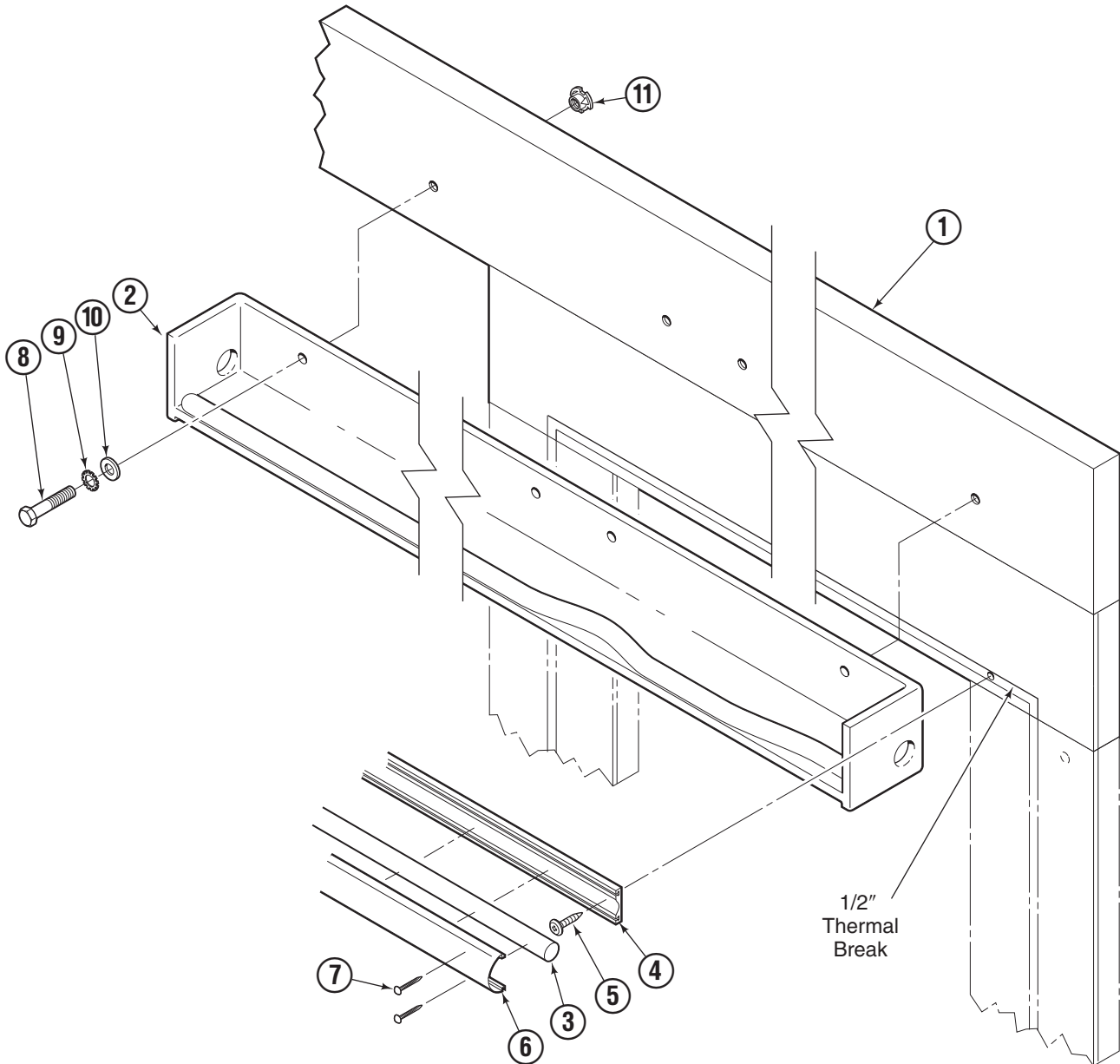
Use the front cover illustration as a guide to the sections contained in the parts manual.

This manual is intended to include replacement parts for both Single and Bi-Parting Electric Sliding Doors produced by R-PLUS Walk-In Cooler Cold Storage Doors.

1. These part lists contain some parts which may be ordered as assemblies. In the Description column, the assemblies have their sub-parts indented under them. The entire assembly can be ordered with a single part number for the assembly. Sub-parts can be ordered individually with their own part numbers.
2. Quantities listed for sub-parts are for *one* complete assembly. Note that when two or more assemblies are shown, the quantities of the sub-parts are still indicated as those necessary for *one* assembly.
3. When a Part Number and Description appears with no Reference number, this means the part or assembly has not been illustrated.
4. When a Reference number and Description appears with no Part Number, the part is either not available, or available only as a sub-part of a larger assembly.
5. When ordering parts, specify Part Number, Description and quantity desired. In some cases, it may be necessary to provide the Door Serial Number, size, or finish. In *all* cases, it is *beneficial* to provide the Serial Number of the Door.

**A**

**Door Header Assembly**

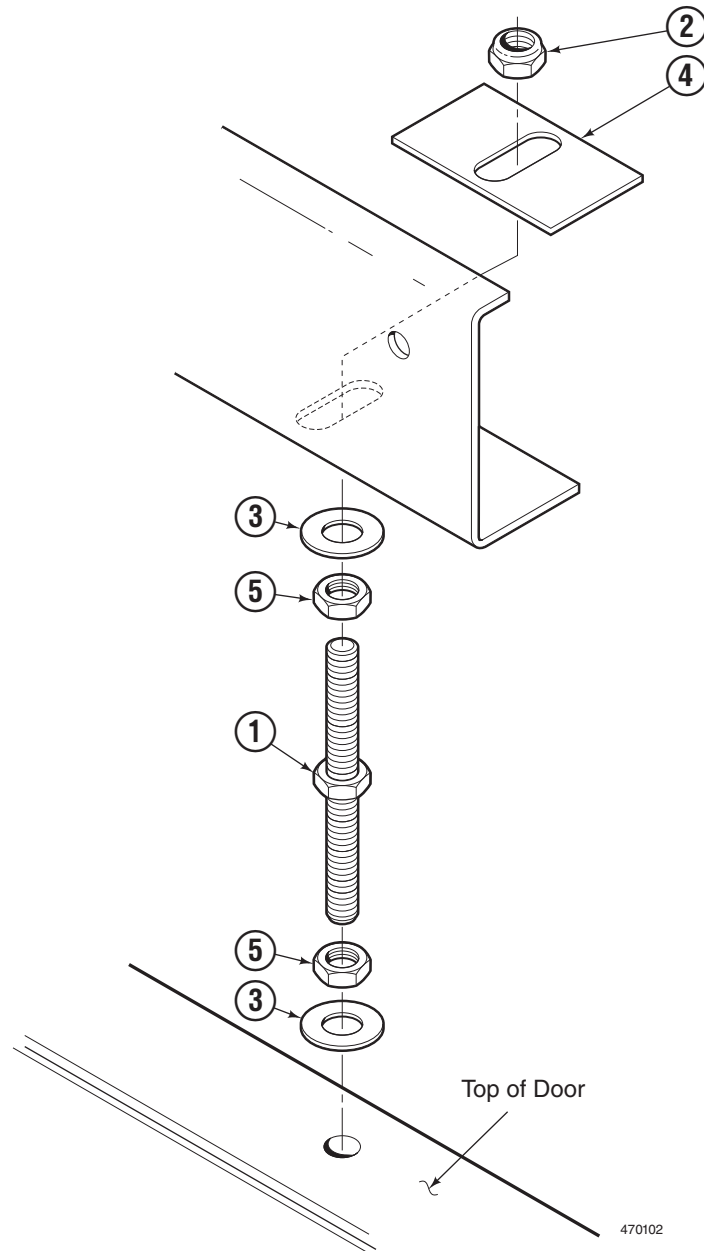


470103

REF	QTY	PART NO.	DESCRIPTION
	1	★	Sliding Door Header Assembly
1	1	-	Door Header
2	1	-	Door Track
3	2	1543	Backer Rod, 7/8"
4	1	0366	Black Sliding Door Gasket Retainer, 1-3/8"
5	12" o/c	-	Sheet Metal Screw, Phillips Truss Hd, #8 x 3/4"
6	1	0368	Black Sliding Door Gasket (Top), Sanoprene
7	12" o/c	0208	Twisted Nail, Aluminum, 1"
8	24" o/c	-	Capscrew, 3/8"-16 x 1-3/4", Hex Head
9	24" o/c	-	Lockwasher, External Tooth, 3/8"
10	24" o/c	-	Flat Washer, 3/8"
11	24" o/c	-	T-Nut, 3/8"-16

★ Consult Factory to order parts. Specify Door Size and Serial Number.

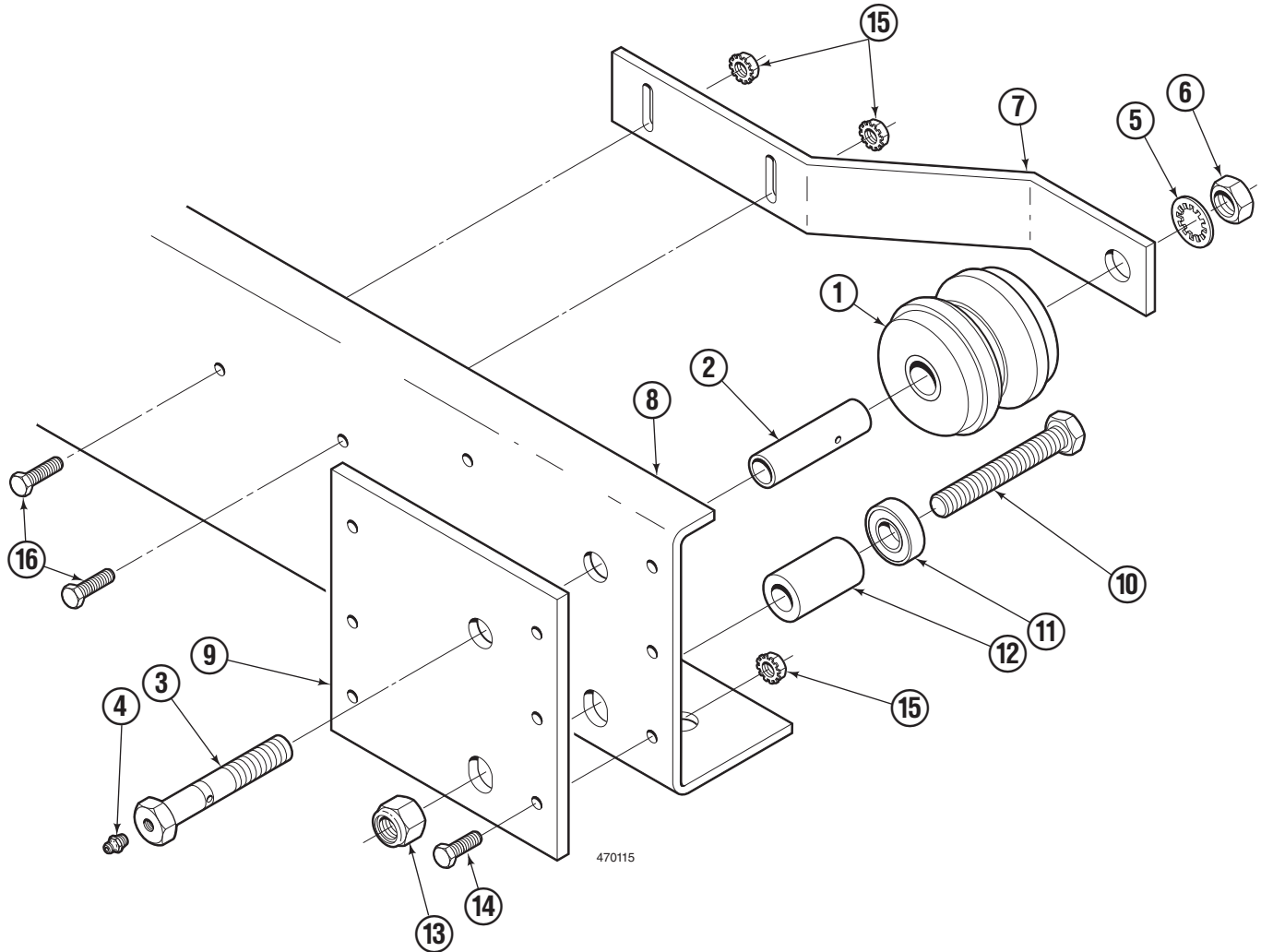
### Adjuster Rod Assembly



REF	QTY	PART NO.	DESCRIPTION
	2	1003	Adjuster Rod Assembly
1	1	-	Threaded Stud with Welded Nut, 3/4"-10 x 7"
2	1	-	Lock Nut, 3/4"-10, Nylon, Thin
3	2	-	Flat Washer, 3/4"
4	1	1605	Slotted Backing Plate
5	2	-	Hex Nut, 3/4"-10

**C**

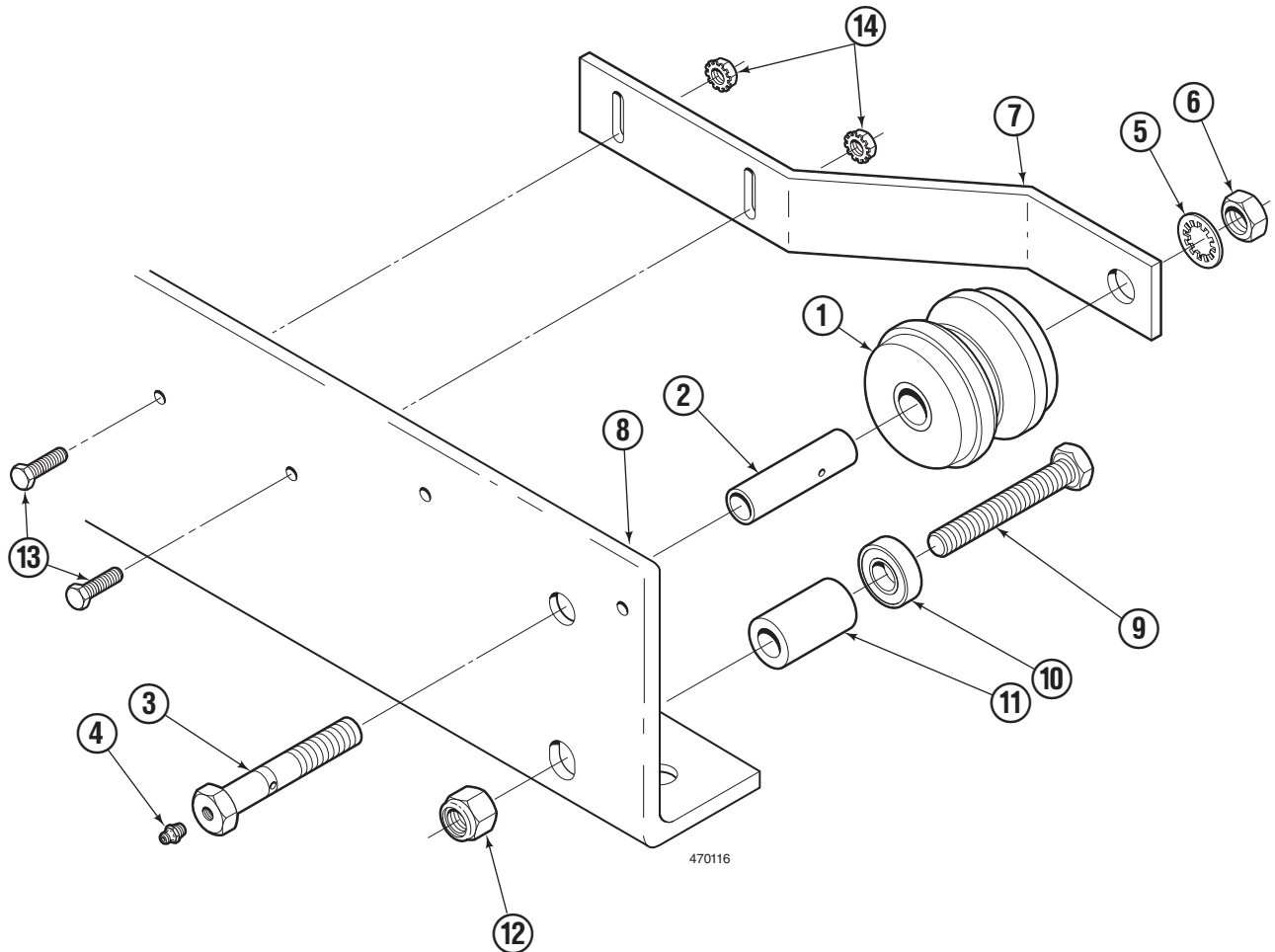
**Door Hanger and Track Roller Assembly  
Heavy Duty Channel**



REF	QTY	PART NO.	DESCRIPTION
	1	★	Door Hanger Assembly
	2	1181	Track Roller Assembly
1	1	1382	V-Groove Steel Roller, 2.94" OD x 2.186" W
2	1	3503	Bushing
3	1	-	Lubricating Capscrew, w/Grease Fitting
4	1	-	Grease Fitting
5	1	-	Lockwasher, Internal Tooth, 7/16"
6	1	-	Hex Nut, 7/16"-14
7	2	1606	Track Roller Bracket, 10 Ga. HDG
8	1	-	10 Ga. HDG Channel
9	2	1607	Face Plate
	2	-	Anti-Jump Roller
10	1	-	Capscrew, 1/2"-13 x 2-1/2", Full Thread
11	1	0233	Roller Bearing, 1-1/8" OD x 1/2" ID x 7/16"
12	1	-	Steel Spacer, 1" OD x 1/2" ID x 1"
13	1	-	Lock Nut, 1/2"-13, Nylon Insert
14	8	-	Capscrew, 1/4"-20 x 3/4"
15	12	-	Lock Nut with External Tooth, 1/4"-20
16	4	-	Capscrew, 1/4"-20 x 1"

★ Consult Factory to order parts. Specify Door Size and Serial Number.

## Door Hanger and Track Roller Assembly Extra Heavy Duty Angle



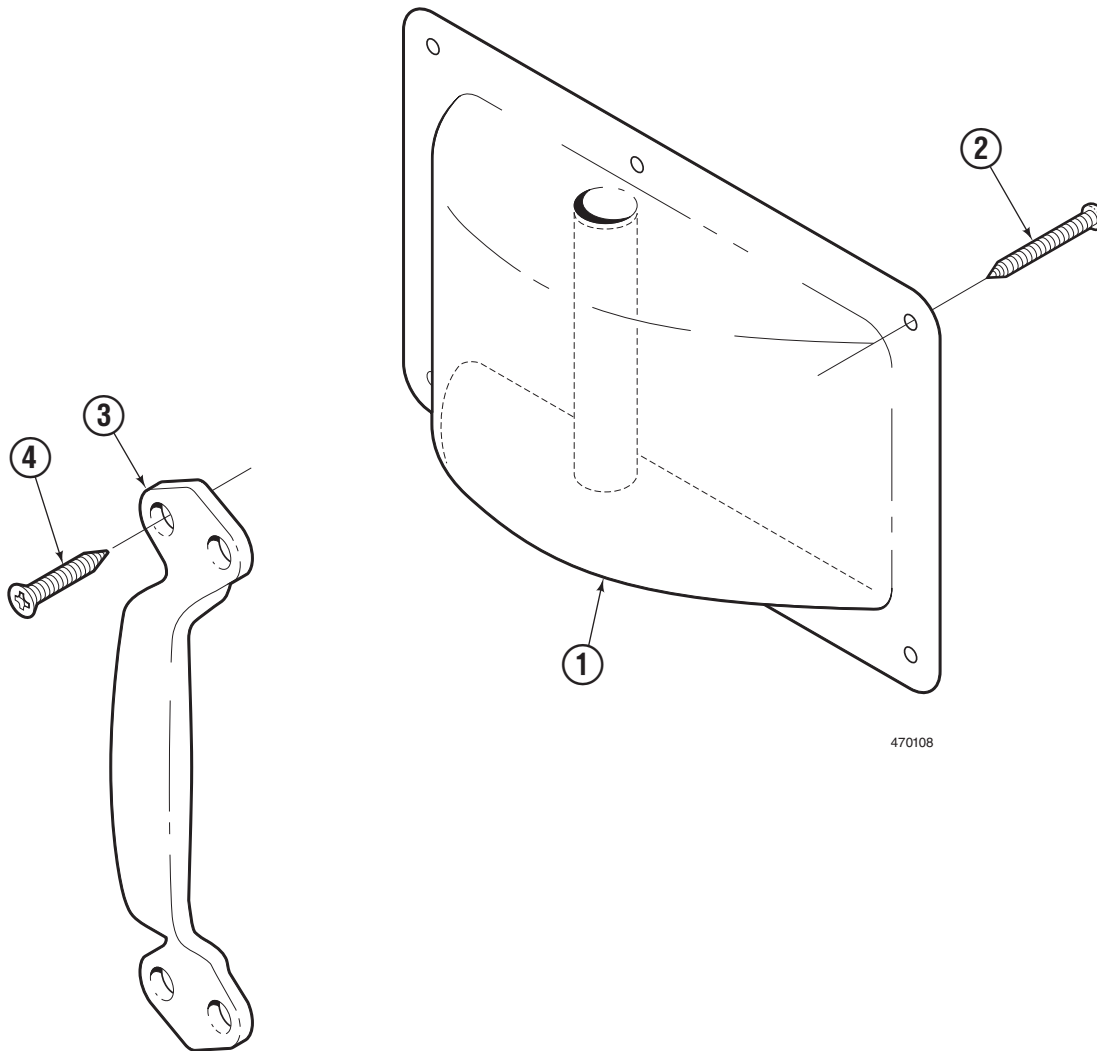
REF	QTY	PART NO.	DESCRIPTION
	1	★	Door Hanger Assembly
	2	1181	Track Roller Assembly
1	1	1382	V-Groove Steel Roller, 2.94" OD x 2.186" W
2	1	3503	Bushing
3	1	-	Lubricating Capscrew, w/Grease Fitting
4	1	-	Grease Fitting
5	1	-	Lockwasher, Internal Tooth, 7/16"
6	1	-	Hex Nut, 7/16"-14
7	2	1606	Track Roller Bracket, 10 Ga. HDG
8	1	-	3/8" x 3-1/2" x 6" Steel Angle
	2	-	Anti-Jump Roller
9	1	-	Capscrew, 1/2"-13 x 2-1/2", Full Thread
10	1	0233	Roller Bearing, 1-1/8" OD x 1/2" ID x 7/16"
11	1	-	Steel Spacer, 1" OD x 1/2" ID x 1"
12	1	-	Lock Nut, 1/2"-13, Nylon Insert
13	4	-	Lock Nut with External Tooth, 1/4"-20
14	4	-	Capscrew, 1/4"-20 x 1"

★ Consult Factory to order parts. Specify Door Size and Serial Number.



**D**

**Door Handle Assembly**

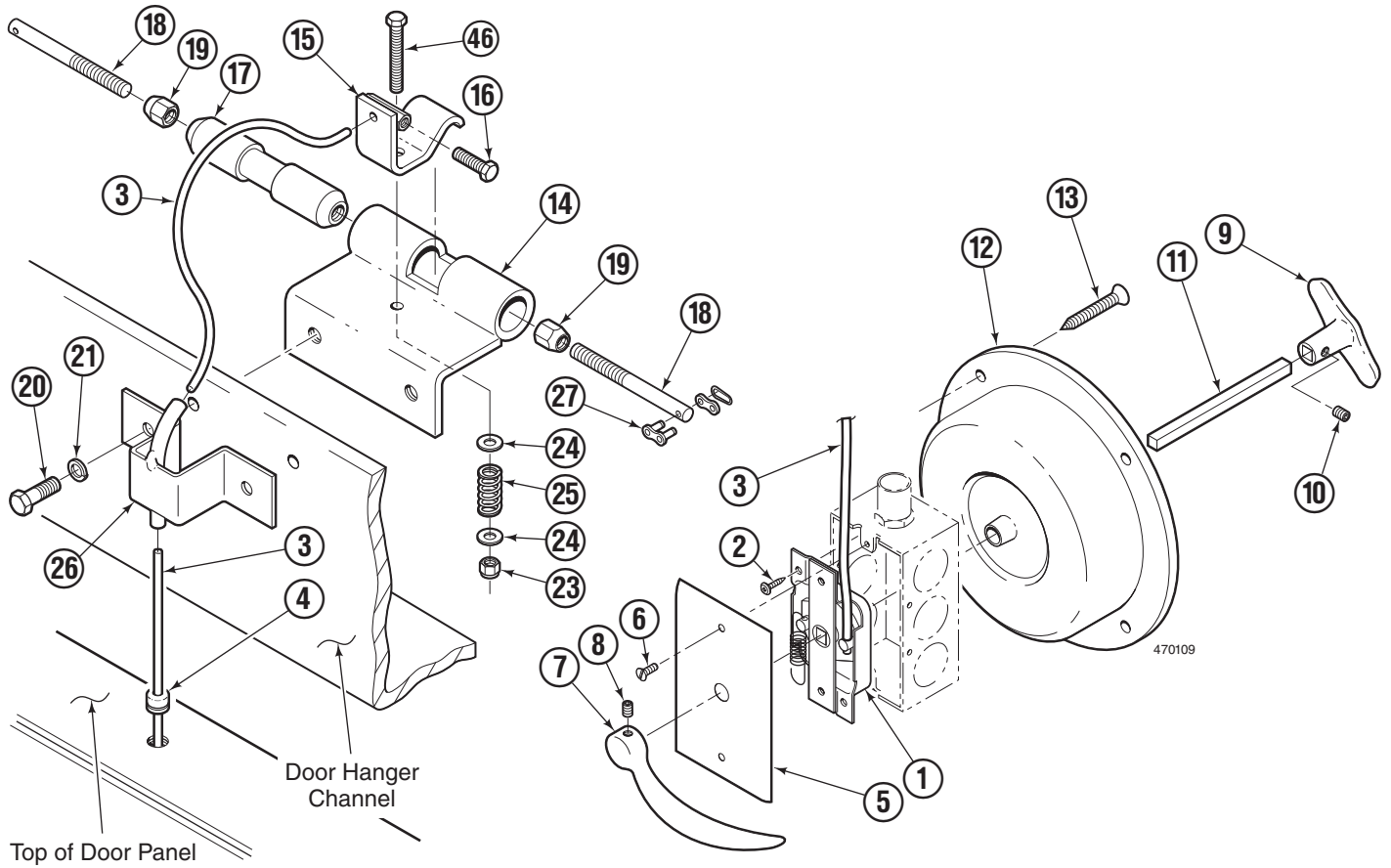


470108

REF	QTY	PART NO.	DESCRIPTION
1	1	0383	Interior Pull Handle, Zinc Plated
2	6	1401	Sheet Metal Screw, Phillips Pan Hd, #8 x 3/4"
3	1	0321	Exterior Handle, Chrome Plated
4	4	0979	Sheet Metal Screw, Phillips FH, #14 x 1-1/2"



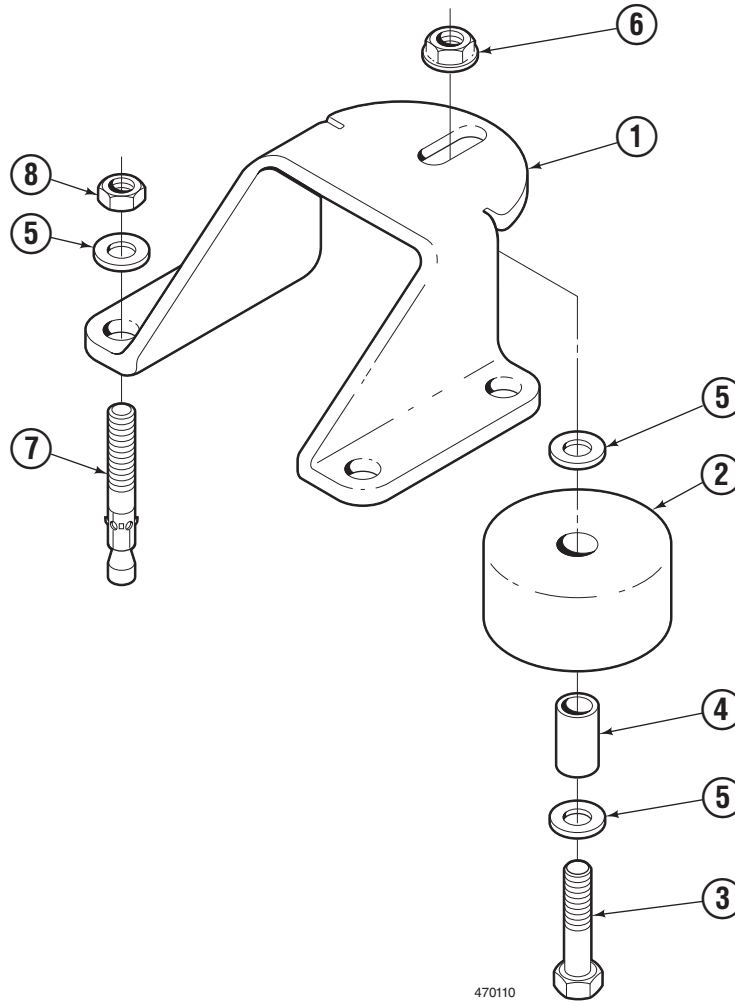
Drive Disconnect Assembly



REF	QTY	PART NO.	DESCRIPTION
1	1	0273	J-Box Internal Mechanism
2	2	-	Sheet Metal Screw, Phillips Truss, #8 x 3/4"
3	1	0271	Release Cable, SS, (8' Bulk)
4	1	0247	Rubber Grommet, 3/8"
5	1	0312	Face Plate, 2" x 4", SS
6	2	-	Mach Screw, Slotted Oval Head, 6-32 x 3/4"
7	1	0382	Exterior Handle, Cast Zinc, Chrome Plated
8	1	-	Setscrew, Hex Socket Head, 1/4"-20 x 1/4"
9	1	1182	Interior "T" Handle, Cast Zinc, Chrome Plated
10	1	-	Setscrew, Hex Socket Head, 1/4"-20 x 1/4"
11	1	0450	Square Shaft, Steel
12	1	0604	Drive Disconnect Interior Cup, White Plastic
13	4	-	Sheet Metal Screw, Phillips FH #14 x 1-1/2"
	1	1600	Chain Tensioner and Door Attachment Assembly
14	1	-	Drive Disconnect Angle
15	1	-	Latch Angle
16	2	-	Capscrew, 1/4"-20 x 1"
17	1	-	Drive Chain Bullet
18	2	-	Threaded Rod, 3/8"-16 x 3-3/4"
19	2	-	Crown Hex Nut, 3/8"-16
20	2	-	Capscrew, 1/4"-20 x 1"
21	2	-	Lockwasher, 1/4"
22	1	-	Capscrew, 1/4"-20 x 2"
23	1	-	Lock Nut, Nylon Insert, 1/4"-20
24	2	-	Flat Washer, 1/4"
25	1	-	External Spring, 5/8" x 1-1/4"
26	1	-	Release Cable Tube Bracket
27	2	1704	Master Link, #40



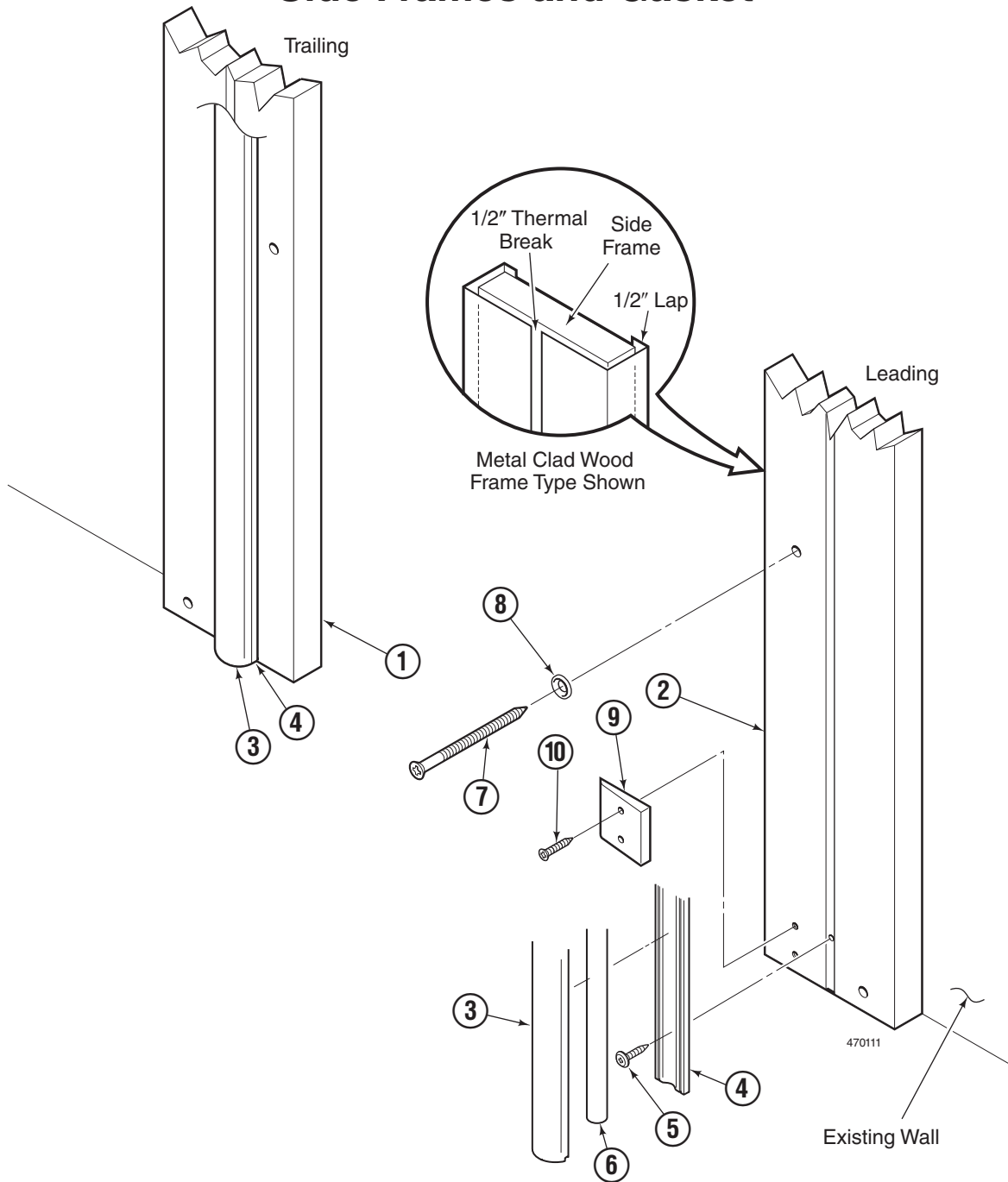
### Stay Roller Assembly



REF	QTY	PART NO.	DESCRIPTION
	2	-	Stay Roller Assembly
1	1	3355	Stay Roller Bracket HDG
2	1	0748	UHMW Stay Roller, 5/8" ID x 3" OD x 1-3/4"
3	1	-	Capscrew, 3/8"-16 x 2-3/4"
4	1	0251	Oilite Bushing, 5/8" OD x 3/8" ID x 1-7/8"
5	6	-	Flat Washer, 3/8"
6	4	-	Lock Nut, Serrated Flange, 3/8"-16
7	4	-	Concrete Anchor, 3/8"-16 x 2-3/4"
8	4	-	Finished Hex Nut, 3/8"-16



### Side Frames and Gasket

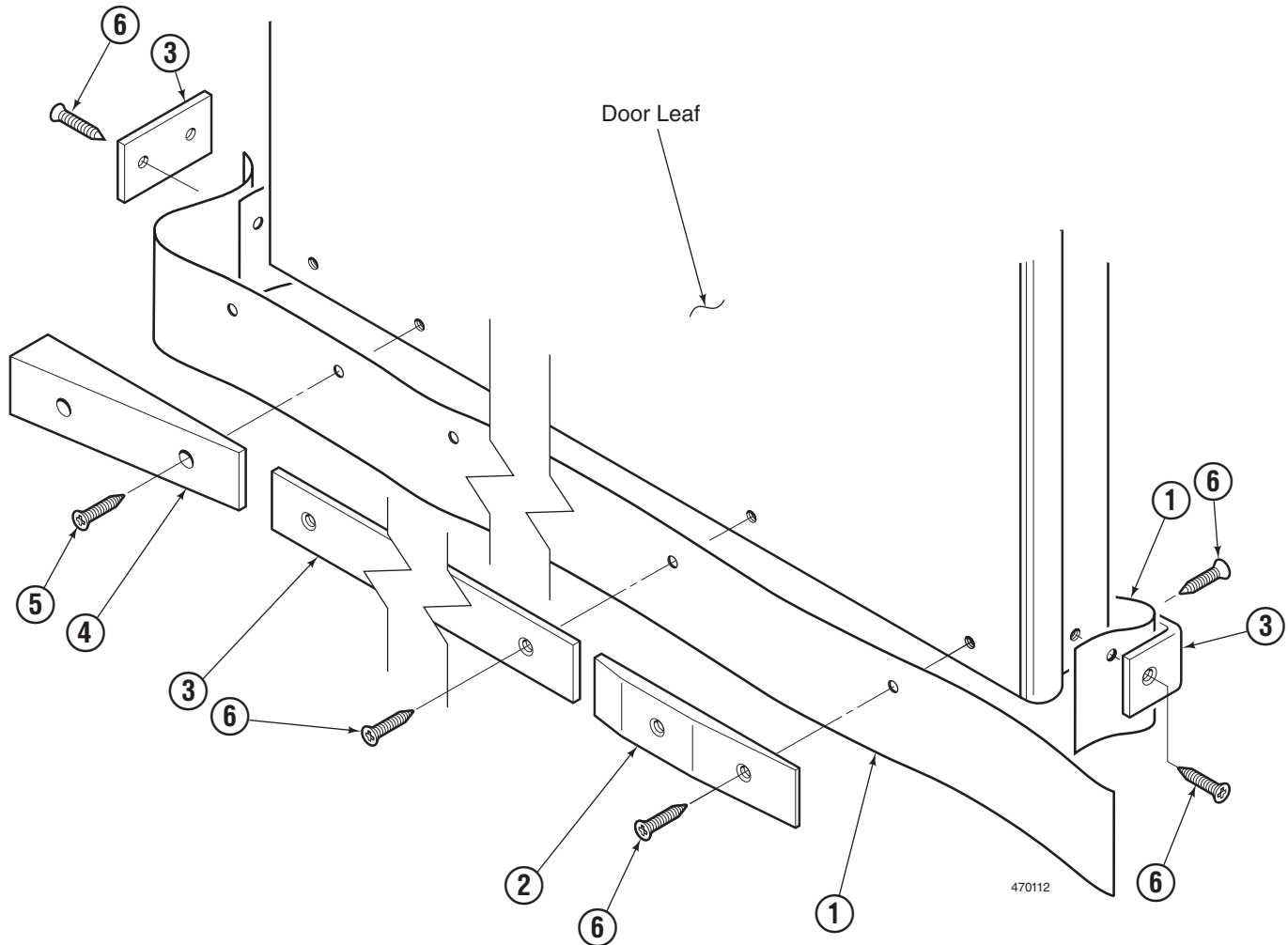


REF	QTY	PART NO.	DESCRIPTION
1	1	-	Side Frame, Trailing
2	1	-	Side Frame, Leading
3	2	0368	Black Sliding Door Gasket, Sanoprene
4	2	0366	Black Sliding Door Gasket Retainer, PVC
5	12" o/c	-	Sheet Metal Screw, Phillips Truss Hd, #8 x 3/4"
6	2	1543	Backer Rod, 7/8"
7	24" o/c	-	Sheet Metal Screw, Phillips Flat Head, #18 x 4"
8	24" o/c	-	Finish Washer, #18
9	1	0742	Black UHMW Door Wedge (Single Door Only)
10	2	-	Sheet Metal Screw, Phillips Flat Head, #14 x 1"

Note: Specify Frame type, size, and finish, when ordering parts. Contact the factory if necessary.



## Door Snubber Assembly

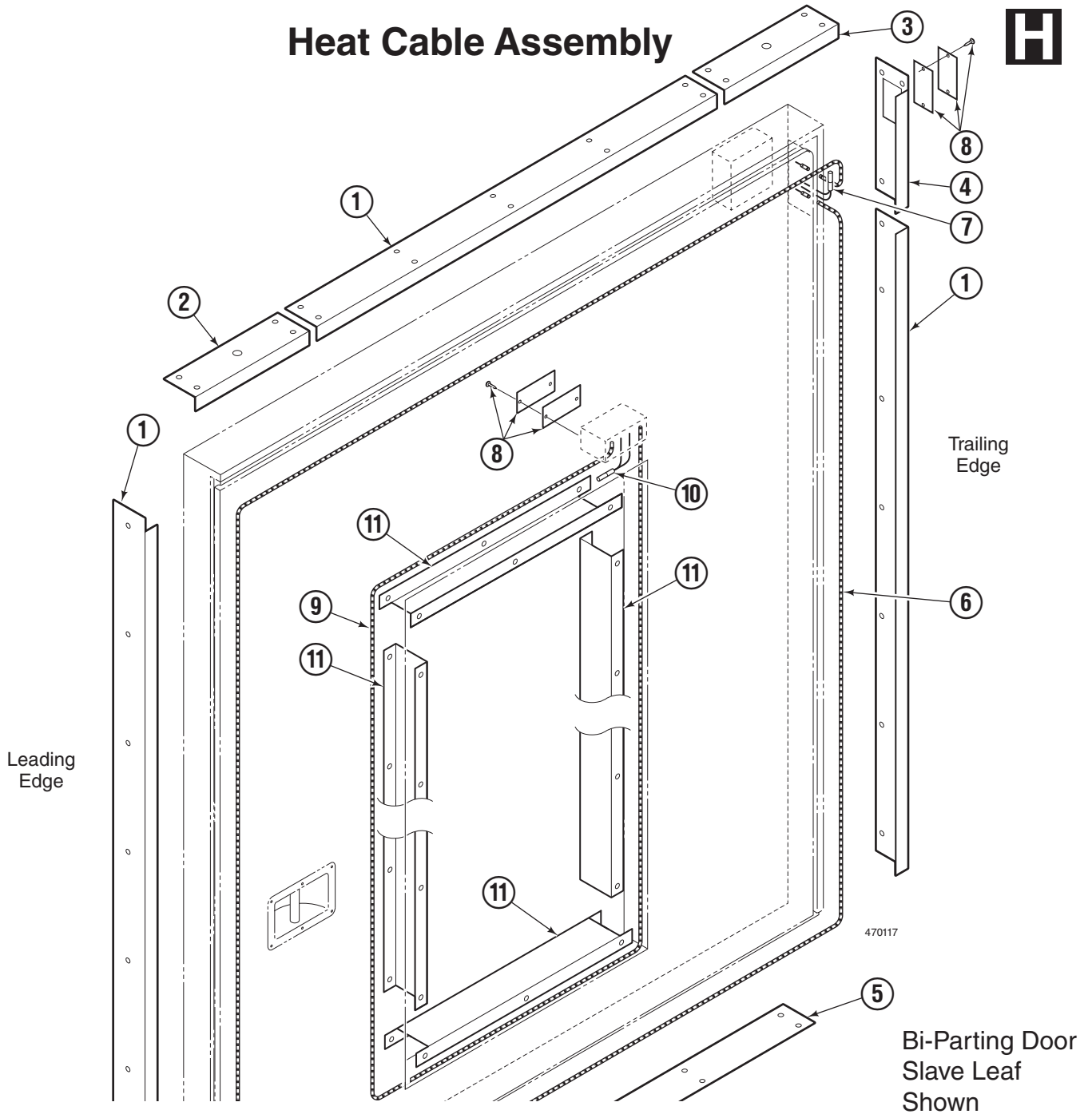


REF	QTY	PART NO.	DESCRIPTION
1	★	0631	Black Sweep Gasket, Neoprene, 3" Bulk
2	1	0616	Black UHMW Leading Edge Snubber (Single Door)
3	★	0605	Black Roller Strip, HTP 220, 2" Bulk
4	1	0618	Black UHMW Trailing Edge Snubber
5	4	-	Sheet Metal Screw, Phillips FH, #12 x 1-1/2"
6	10" o/c	-	Sheet Metal Screw, Phillips FH, #10 x 1-1/2"

★ Specify Door Size when ordering parts.

Note: Single Door Shown. Bi-Parting Doors use the same bulk parts and hardware.

### Heat Cable Assembly

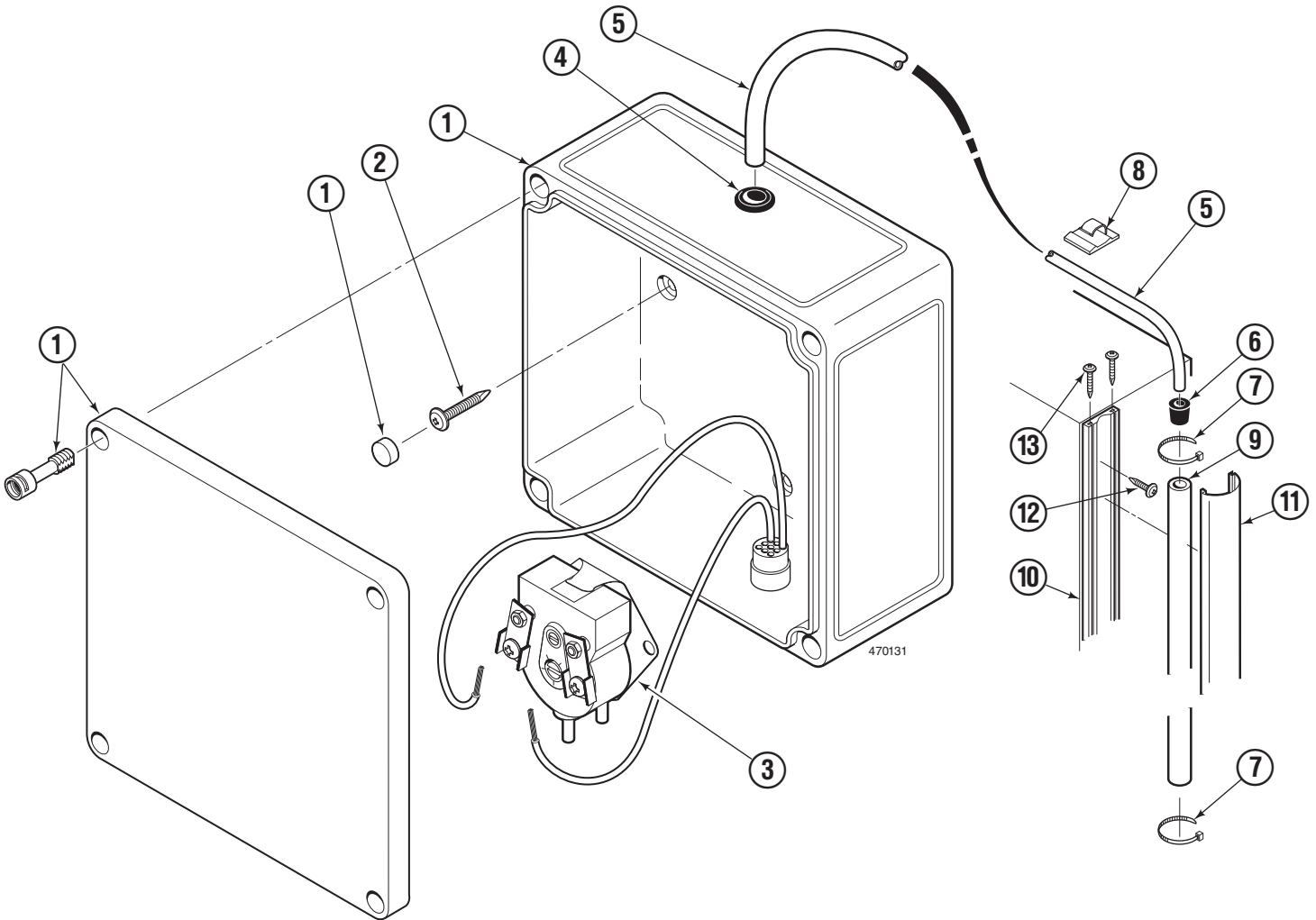


REF	QTY	PART NO.	DESCRIPTION
1		★	Heat Cable Cover–Bulk
2	1	–	Heat Cable Cover–Top, Leading Edge Corner
3	1	–	Heat Cable Cover–Top, Trailing Edge Corner
4	1	–	Heat Cable Cover–Side, Trailing Edge Corner
5	1	★	Heat Cable Cover–Bottom
6	1	★	Heat Cable Loop
7	1	3367	Thermostat
8	2	–	Face Plate, 2" x 4", with gasket & screws
9	1	★	Heat Cable Loop–Personnel Door
10	1	3367	Thermostat
11	2	★	Heat Cable Cover–Bulk, Personnel Door

★ Specify Door Size or material length when ordering parts. Cover parts are not pre-drilled. Custom fitting to length is necessary.  
 Note: Specify Door Size and Type (Single or Bi-Parting) when ordering parts.



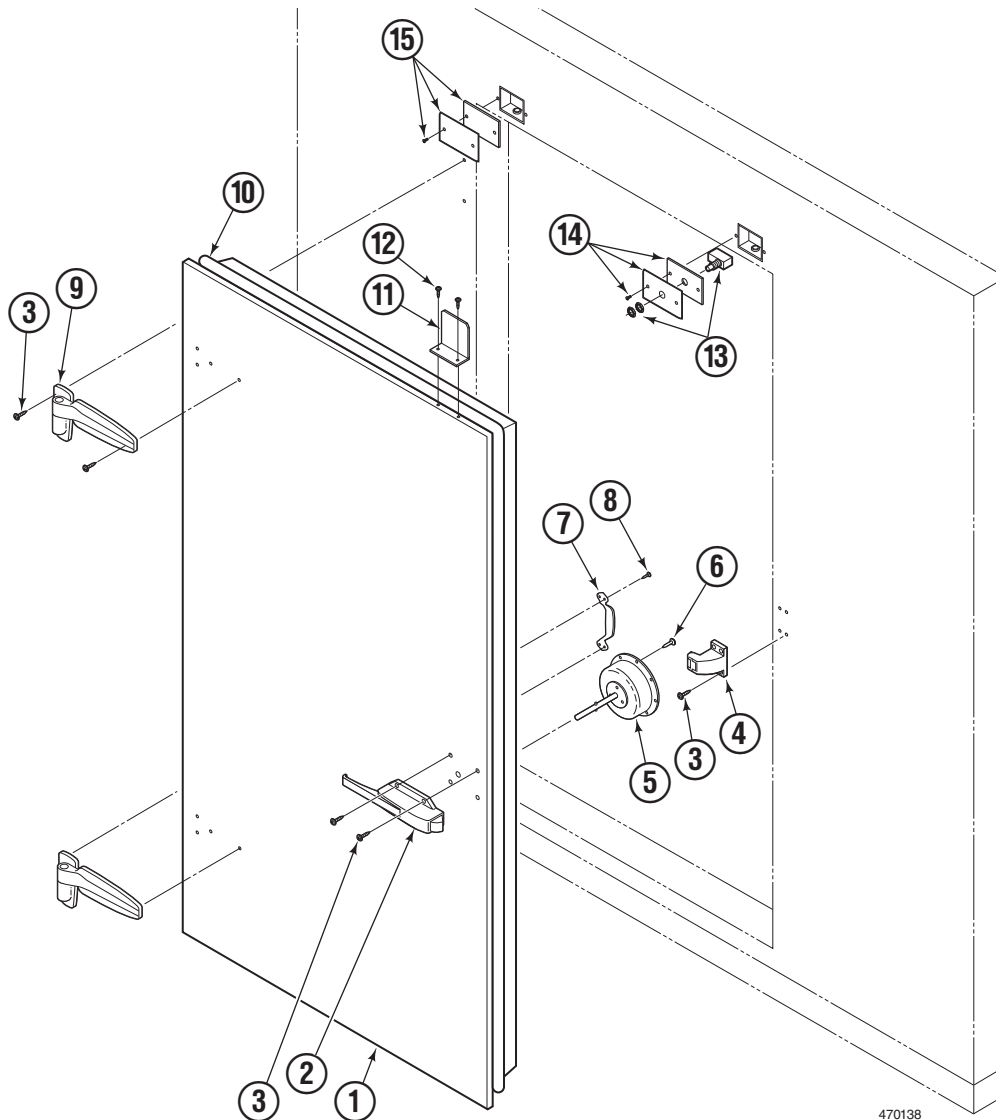
## Door Safety Edge with Internal Adjustment Switch



REF	QTY	PART NO.	DESCRIPTION
	1	-	Door Safety Edge Air Switch Assembly
1	1	2431	Watertight J-Box with Cover and Fasteners
2	4	-	Sheet Metal Screw, Phillips Truss, #8 x 3/4"
3	1	2903	Safety Edge Air Switch, Red, (DW40)
4	1	-	Grommet
5	1	1756	Air Tube Assembly, 1/8" ID x 1/4" OD, Bulk
6	1	1802	Tapered Sleeve
7	2	-	Nylon Tie
8	9	0764	Hose Clamp, Pressure Sensitive Mount
9	1	1772	Pneumatic Tube, 3/4" ID x 7/8" OD, Bulk
10	1	0366	Gasket Retainer, 1-3/8", Bulk
11	1	0368	Gasket, Sanoprene, Bulk
12		-	Sheet Metal Screw, Phillips Truss, #8 x 3/4"
13	4	-	Sheet Metal Screw, Phillips Truss, #6 x 1"

Note: Bulk items must be cut to fit.

Personnel Door Assembly



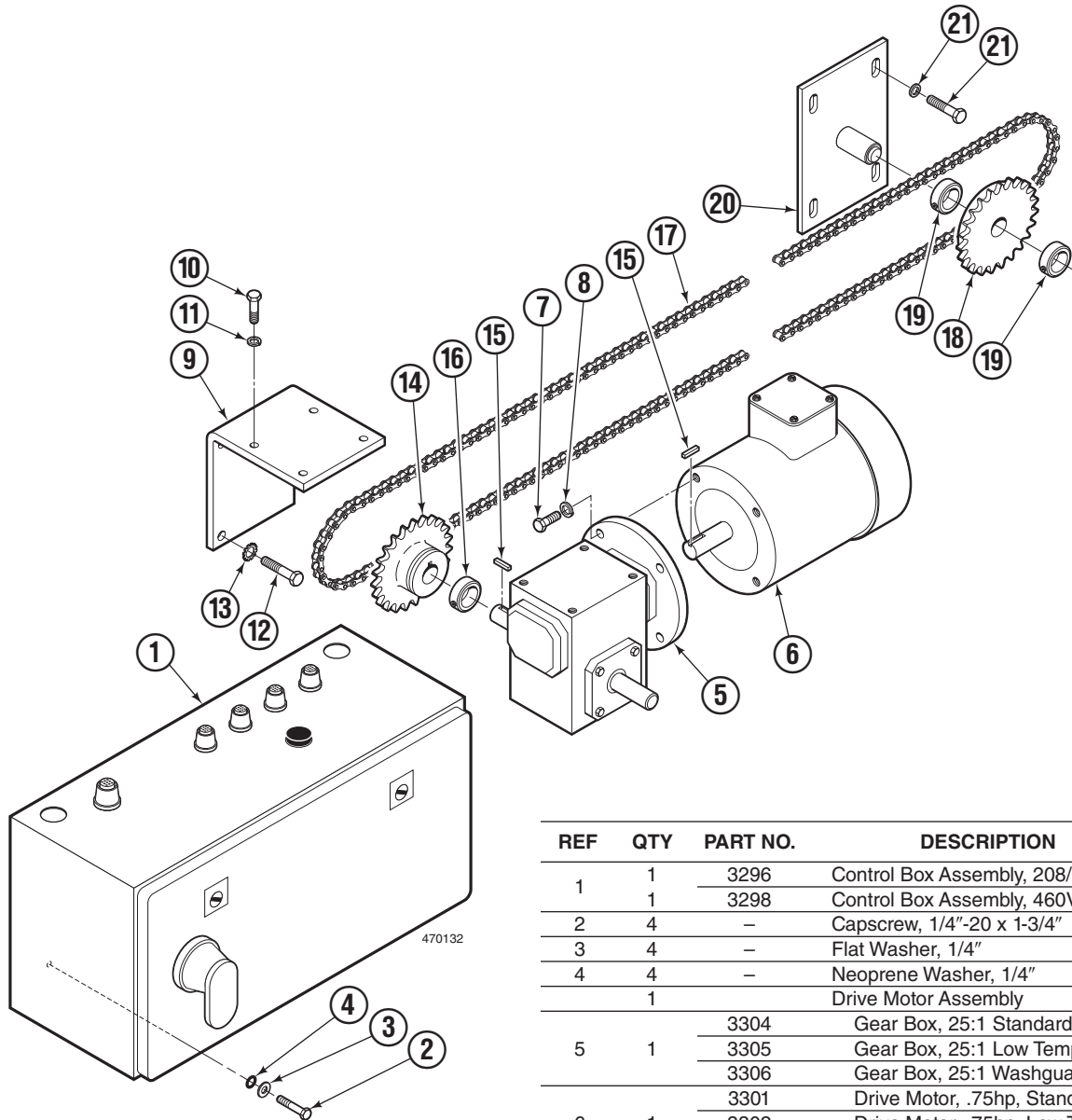
470138

REF	QTY	PART NO.	DESCRIPTION
	1	-	Personnel Door Assembly
1	1	-	Personnel Door
2	1	-	Latch, Chrome
3	24	-	Sheet Metal Screw, Phillips FH, #14 x 1-1/2"
4	1	-	Strike, Chrome
5	1	-	Inside Safety Release with Cup
6	8	-	Sheet Metal Screw, Phillips Pan Hd, #10 x 3/4"
7	1	0321	Pull Handle, Chrome
8	4	-	Sheet Metal Screw, Phillips FH, #14 x 1-1/2"
9	2	-	Hinge, Chrome
10	1	3031	D Gasket, Bulk
11	1	-	Status Flag
12	2	-	Sheet Metal Screw, Phillips Truss, #8 x 3/4"
13	1	0505	Micro Switch
14	1	-	Face Plate, 2" x 4", with gasket & screw
15	1	0312	Face Plate, 2" x 4", with gasket & screw



**J**

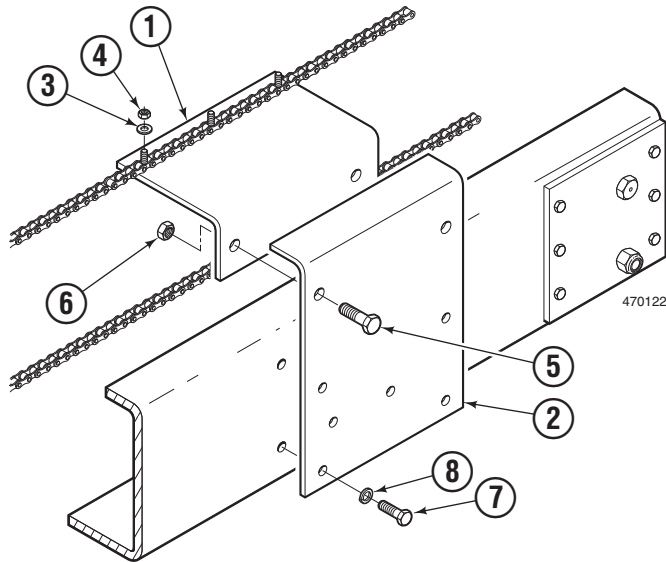
**Electric Drive Assembly**



REF	QTY	PART NO.	DESCRIPTION
1	1	3296	Control Box Assembly, 208/230V, ICC-5
	1	3298	Control Box Assembly, 460V, ICC-5
2	4	-	Capscrew, 1/4"-20 x 1-3/4"
3	4	-	Flat Washer, 1/4"
4	4	-	Neoprene Washer, 1/4"
	1		Drive Motor Assembly
		3304	Gear Box, 25:1 Standard
5	1	3305	Gear Box, 25:1 Low Temperature (-65°F)
		3306	Gear Box, 25:1 Washguard motor
		3301	Drive Motor, .75hp, Standard
6	1	3302	Drive Motor, .75hp, Low Temp
		3303	Drive Motor, .75hp, Washguard
7	4	-	Capscrew, 3/8"-16 x 1-1/4"
8	4	-	Lockwasher, 3/8"
9	1	3441	Mounting Bracket, Drive Motor
10	4	-	Capscrew, 5/16"-18 x 1-1/4"
11	4	-	Lockwasher, 5/16"
12	4	-	Capscrew, 3/8"-16 x 2"
13	4	-	Lockwasher, External Tooth, 3/8"
14	1	0660	Drive Sprocket, 23t
15	2	-	Square Key
16	1	1480	Set Collar
17	1	1380	Drive Chain, #40
	1		Idler Sprocket Assembly
18	1	1496	Idler Sprocket, 23t
19	2	0660	Set Collar
20	1	3440	Mounting Bracket, Idler Sprocket
21	4	-	Capscrew, 3/8"-16 x 1-3/4"
22	4	-	Lockwasher, 3/8"



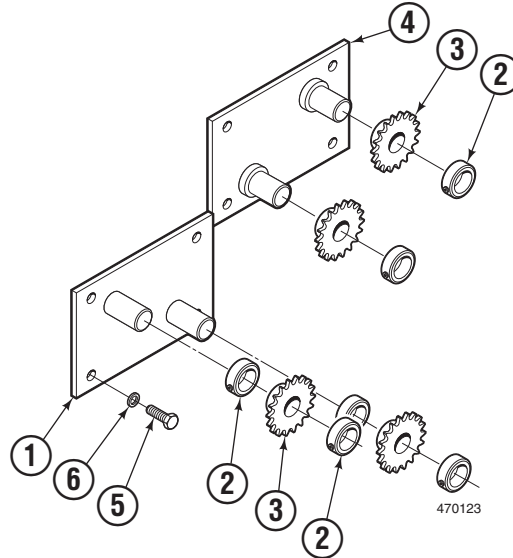
### Drive Chain Connection Bi-Parting Doors



REF	QTY	PART NO.	DESCRIPTION
1	1	1648	Chain Bracket
2	1	1649	Door Bracket
3	3	-	Flat Washer, 3/8"
4	3	-	Lock Nut, Nylon Insert, 3/8"-40
5	2	-	Capscrew, 5/16"-18 x 1"
6	2	-	Nut, 5/16"-18
7	4	-	Capscrew, 1/4"-20 x 3/4"
8	4	-	Lockwasher, 1/4"-20

**J**

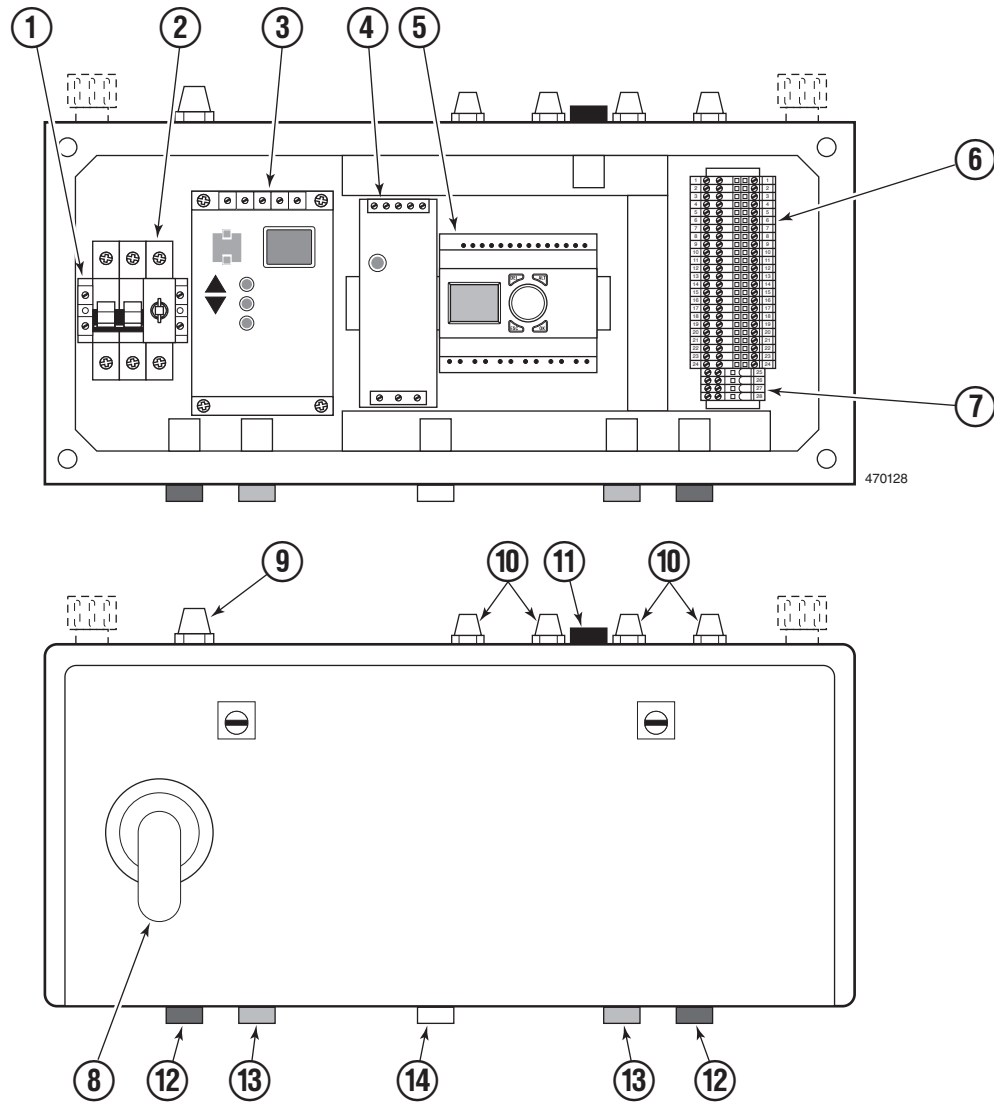
**Double Sprocket Chain Idler  
Bi-Parting Doors (Large Doors Only)**



REF	QTY	PART NO.	DESCRIPTION
1	1	1509	Sprocket Bracket, LH
2	6	1480	Set Collar, 7/8" ID
3	4	3465	Sprocket, 12t
4	1	1498	Sprocket Bracket, RH
5	8	-	Capscrew, 3/8"-16 x 1-3/4"
6	8	-	Flat Washer, 3/8"



### Control Box Assembly

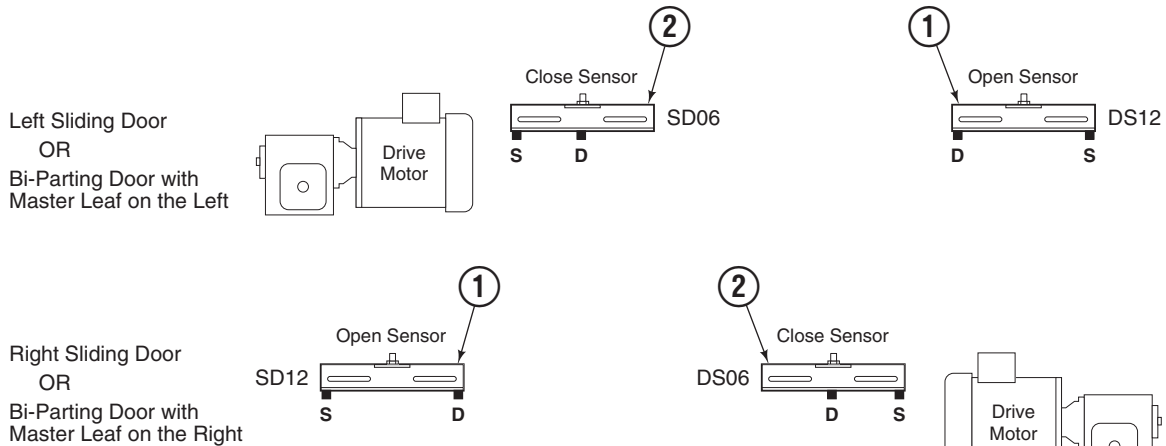
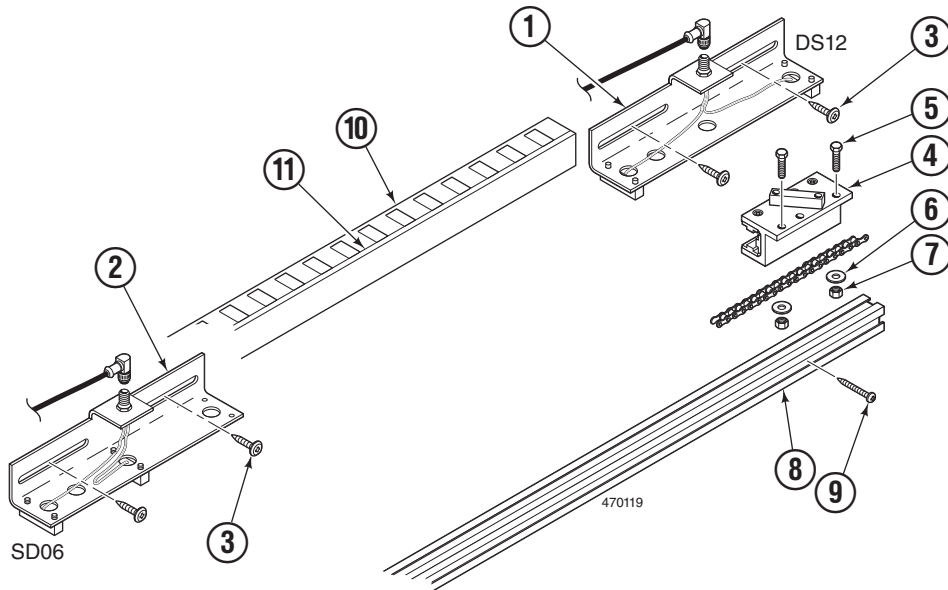


REF	QTY	PART NO.	DESCRIPTION
	1	3296	Control Box Assembly, 208–230V Nema 4, ICC-5
	1	3298	Control Box Assembly, 460V Nema 4, ICC-5
1	2	★	Ground Connector
2	3	★	Circuit Breaker
3	1	★	Variable Frequency Drive
4	1	★	Power Supply
5	1	★	Programmable Logic Controller (PLC)
6	24	★	Terminal Block
7	4	★	Terminal Block, Status Lamp Connector
8	1	★	Quick Power Disconnect
9	1	★	QD Connector, Female, Motor Output
10	4	★	QD Connector, Female, Sensor and Leaf
11	1	★	Pushbutton, Test
12	2	★	Status Lamp, Stop, Red
13	2	★	Status Lamp, Decel, Orange
14	1	★	Status Lamp, Power On, White

★ Consult Factory to order parts. Specify Door Size and Serial Number.

**K**

**Door Travel Controls**



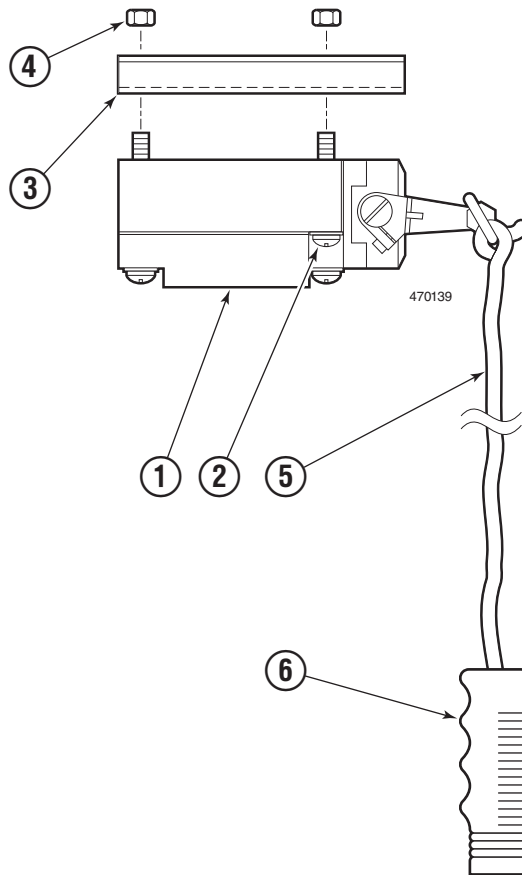
470141

REF	QTY	PART NO.	DESCRIPTION
1	1	DS12	Open Sensor Bracket Assembly, with Sensors & Conn
	1	SD12	Open Sensor Bracket Assembly, with Sensors & Conn
2	1	SD06	Close Sensor Bracket Assembly, with Sensors & Conn
	1	DS06	Close Sensor Bracket Assembly, with Sensors & Conn
3	4		Sheet Metal Screw, Phillips Truss, #14 x 1"
4	1		Magnet Slide Assembly, with Magnet
5	2		Capscrew, #10-32 x 1"
6	2		Flat Washer, #10
7	2		Lock Nut, #10-32, Nylon
8	1	3275	Magnet Slide Rail
9			Sheet Metal Screw, Phillips Pan Hd, #6 x 1-1/2"
10	★	3338	Cable Raceway, Base, 6 ft Bulk
11	★	3339	Cable Raceway, Cap, 6 ft Bulk

★ Specify Door Size or material length when ordering parts.

Note: Bulk items must be cut to fit.

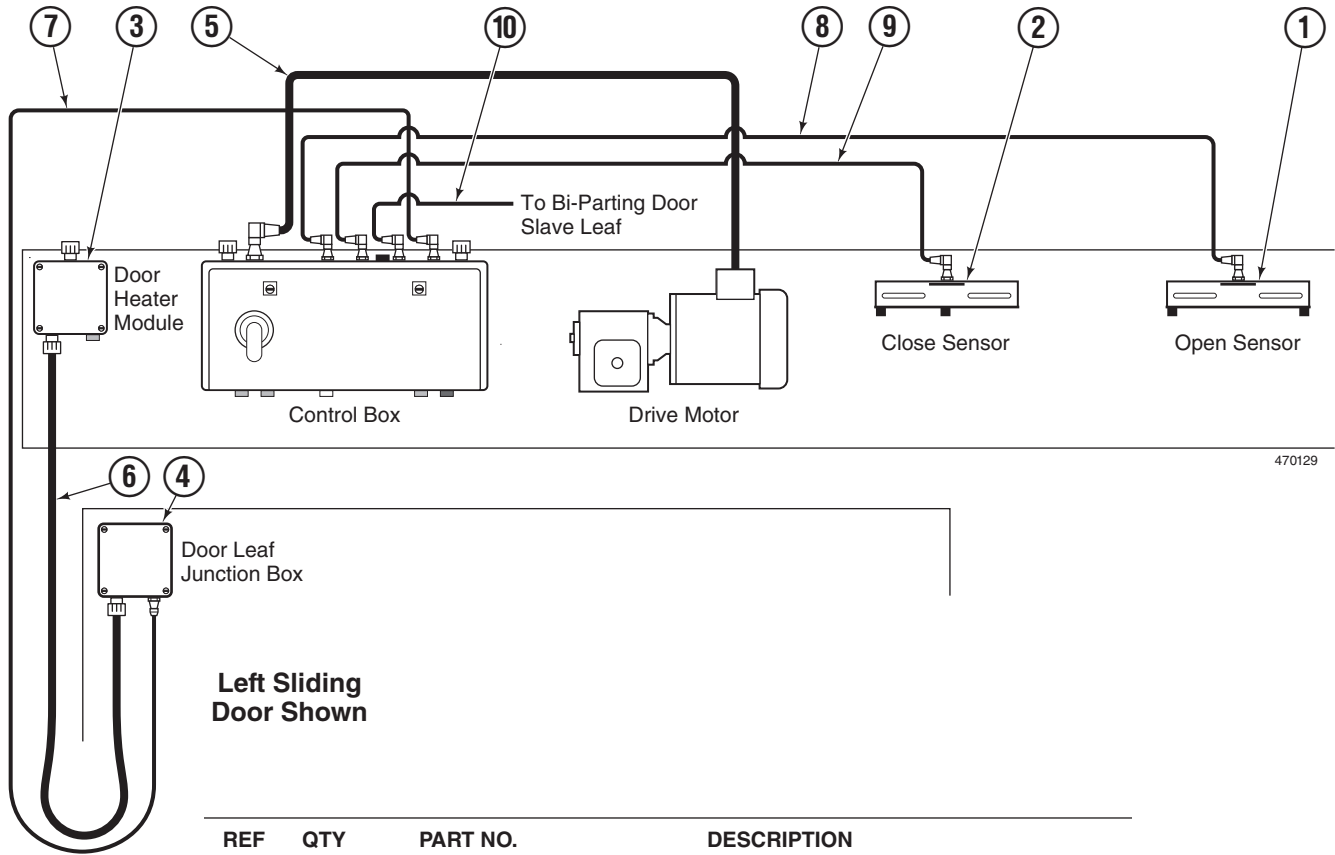
**Pull Cord Switch**



REF	QTY	PART NO.	DESCRIPTION
1	1	3092	Pull Cord Switch
2	2	-	Machine Screw, Phillips , #10 x 1-1/2"
3	1	-	Mounting Bracket, Pull Cord Switch
4	2	-	Hex Nut, #10
5	1	1459	Pull Cord, 1/4" x 8'
6	1	1458	Grip Handle

**K**

**Wiring Diagram**



470129

**Left Sliding Door Shown**

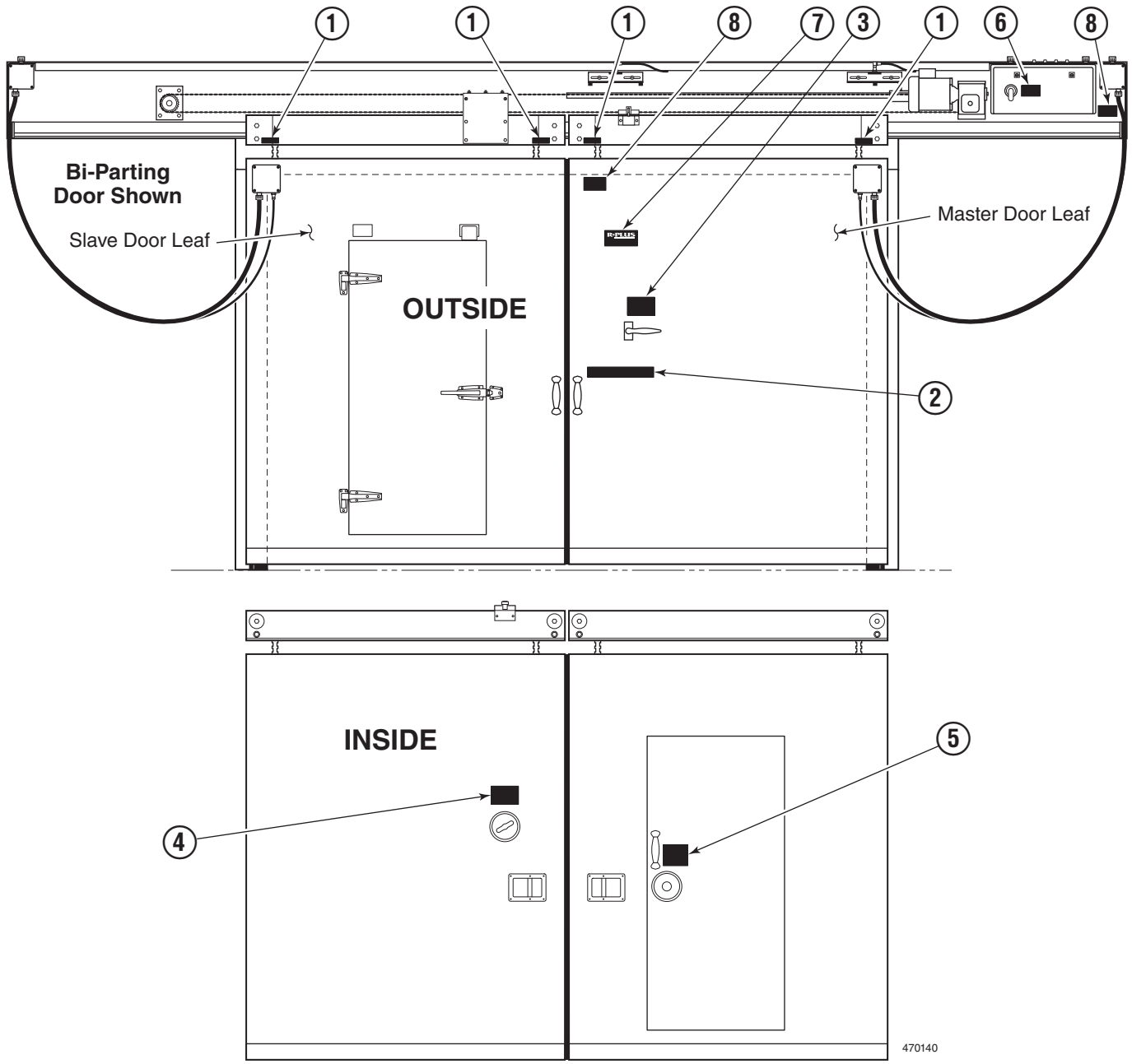
REF	QTY	PART NO.	DESCRIPTION
1	1	◆	Open Sensor Bracket Assembly, with Sensors & Conn
2	1	◆	Close Sensor Bracket Assembly, with Sensors & Conn
3	1	3337	Door Heater Module, 4 x 4, 120V, with Lamp
4	1	3326	Door Leaf Junction Box, 4 x 4
5	1	3307	Motor Cable, 2m, 90° Conn
6	1	★	QD Cable, 20 ft., 3 Pin, 90° Male to St. Male
7	1	★	QD Cable, 4m, 8 Pin, 90° Male to St. Female (Yellow)
8	1	★	QD Cable, 4m, 4 Pin, 90° Male to 90° Female (Black)
9	1	3311	QD Cable, 2m, 4 Pin, 90° Male to 90° Female (Blu/Gry)
10	1	★	QD Cable, 6m, 4 Pin, 90° Male to St. Female (Yellow)
	1		Wiring Cable, Personnel Door Sensor

◆ See Door Travel Controls page.

★ Specify Door Size or cable length when ordering parts.



Nameplates and Labels



REF	QTY	PART NO.	DESCRIPTION
1	4	2322	Label, Anti-Jump Roller
2	1	2551	Label, Stand Clear
3	1	0452e	Label, Emergency Release, Exterior
4	1	0452i	Label, Emergency Release, Interior, 2 Pieces
5	1	-	Label, SafeGuard Latch
6	1	-	Label, 208-230V, 1Ø/3Ø, Operator
6	1	-	Label, 460V, 3Ø, Operator
7	1	-	Nameplate, R-Plus
8	2	-	Label and Cover, Serial Number

# **R•PLUS**

**COLD STORAGE DOORS**

2271 NE 194th • Portland, Oregon 97230  
Toll Free (877) 320-3599 • Fax (503) 665-2929  
[www.RPlusDoors.com](http://www.RPlusDoors.com)

For the latest manuals and resources, just  
snap on the QR Code, or visit  
**[sp.rplusdoors.info](http://sp.rplusdoors.info)**

