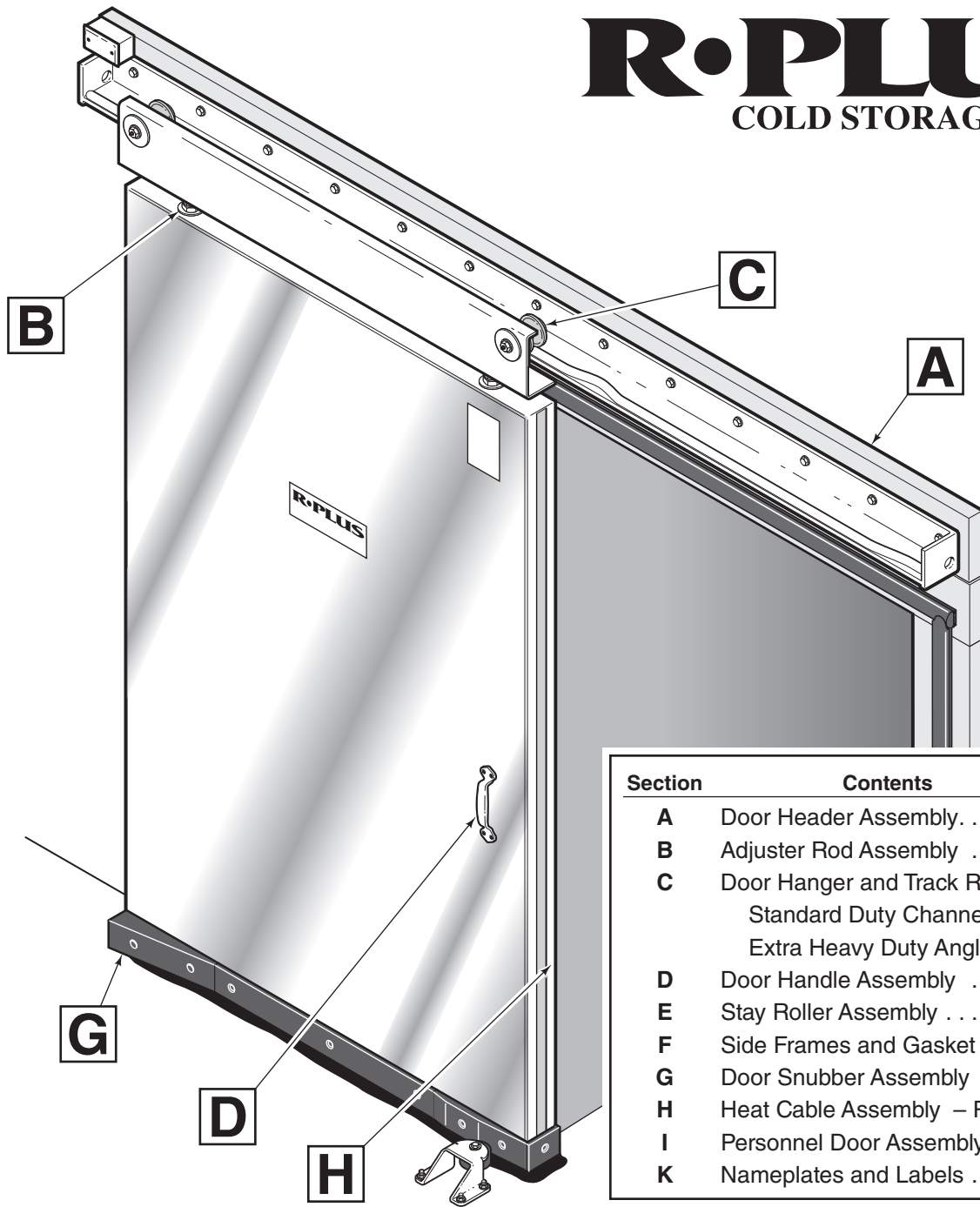
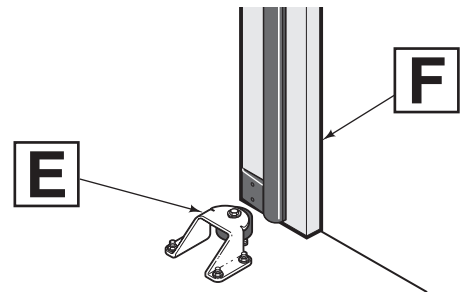


R-PLUS

COLD STORAGE DOORS



Section	Contents	Page
A	Door Header Assembly	4
B	Adjuster Rod Assembly	5
C	Door Hanger and Track Roller Assembly	
	Standard Duty Channel	6
	Extra Heavy Duty Angle	7
D	Door Handle Assembly	8
E	Stay Roller Assembly	9
F	Side Frames and Gasket	10
G	Door Snubber Assembly	11
H	Heat Cable Assembly – Rapid Repl . .	12
I	Personnel Door Assembly	13
K	Nameplates and Labels	14



Release Date: 3-2013

R-PLUS Cold Storage Doors

2271 NE 194th • Portland, Oregon 97230

Toll Free (877) 320-3599 • Fax (503) 665-2929 • www.RPlusDoors.com

Warnings and Cautions

We have provided many important safety messages in this manual and the Installation manual about your Sliding Door. Always read and obey all safety messages.



This is the safety alert symbol.

This symbol alerts you to potential hazards that can kill, injure, or damage equipment.

All safety messages will follow the safety alert symbol and either the word “Warning” or “Caution”. These words mean:



WARNING You can be killed or seriously injured if you don't follow instructions.



CAUTION Equipment can be damaged or destroyed if you don't follow instructions.

All safety messages will tell you how to proceed to reduce the chance of death, injury, or damage to the Sliding Door.

Important Safety Instructions

Read the Installation Manual before proceeding with repair or parts replacement. Perform maintenance tasks as indicated in the Periodic Maintenance section of the Installation manual.

To reduce the risk of fire, electrical shock, injury, death, or damage when installing or repairing the Door, follow basic precautions, including the following:



WARNING: Improper wiring or lack of proper ground can result in fire, electrical shock, injury or death. Disconnect power to the Door before performing any electrical repairs. Field wiring or electrical repair should be done by a licensed professional electrician. Follow all local building codes and laws for electrical installation.



WARNING: All mechanical repairs made to the Sliding Door should be performed by a qualified service technician familiar with this type of door.



WARNING: Always keep your hands clear of the rollers and other moving parts when door is to be moved. Avoid loose fitting or hanging clothing.



WARNING: Remove children and unnecessary adults from the area when installing or servicing the Door.



WARNING: In case of electrical fire, disconnect the power supply. Do not use water on electrical fires. Smother the fire with an extinguisher rated for C-class fires.

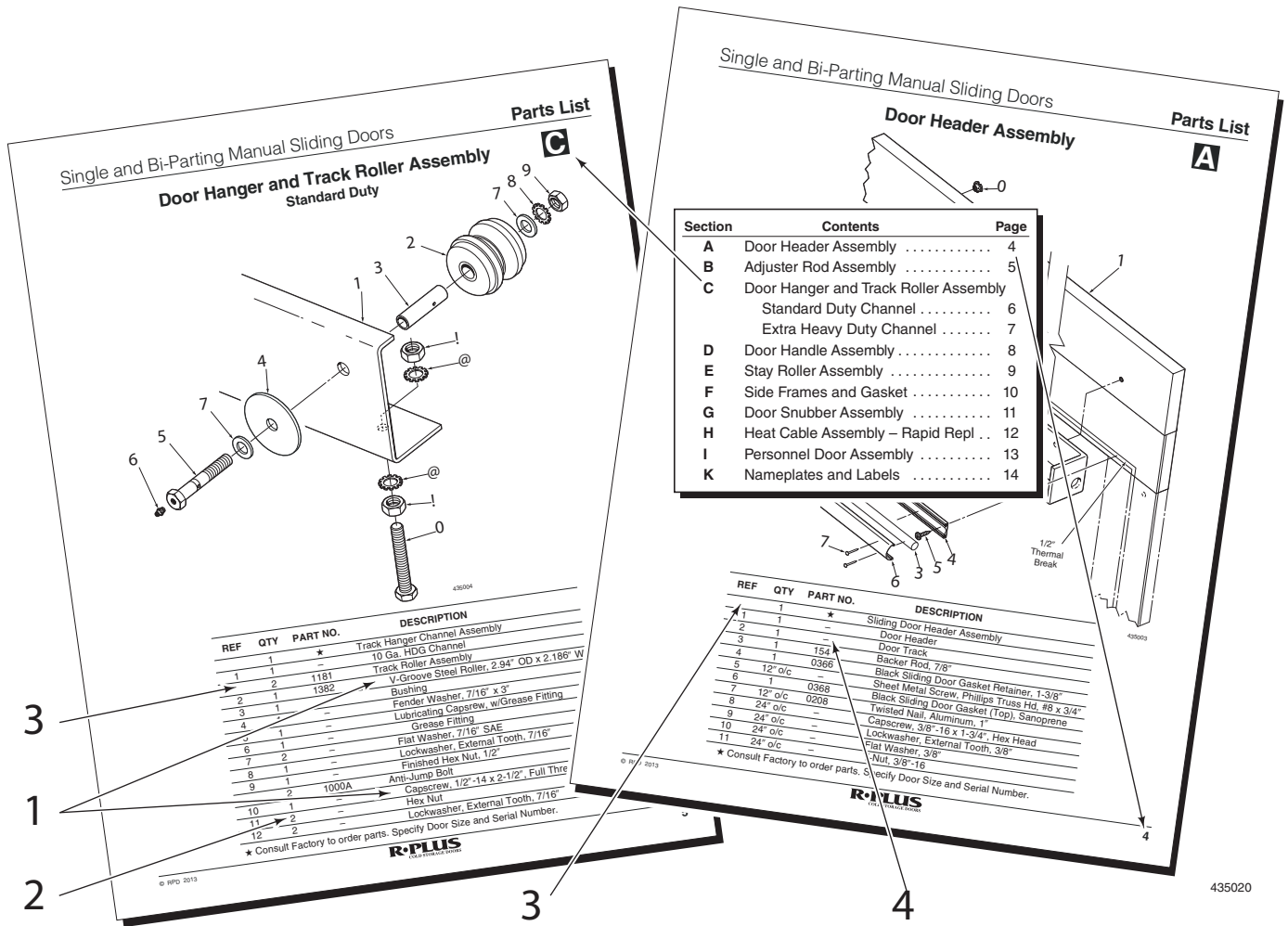


CAUTION: After changing any parts on the Door, always check that door tightness and anti-jump devices are adjusted and working properly.



CAUTION: Per NEC 300-7, all raceways passing from different temperatures shall be sealed with putty or other method to stop the travel of moisture. Furthermore, all junction box covers plates shall be sealed. Verify these seals are in place and functioning properly after performing any service on the Door.

How to use this Manual



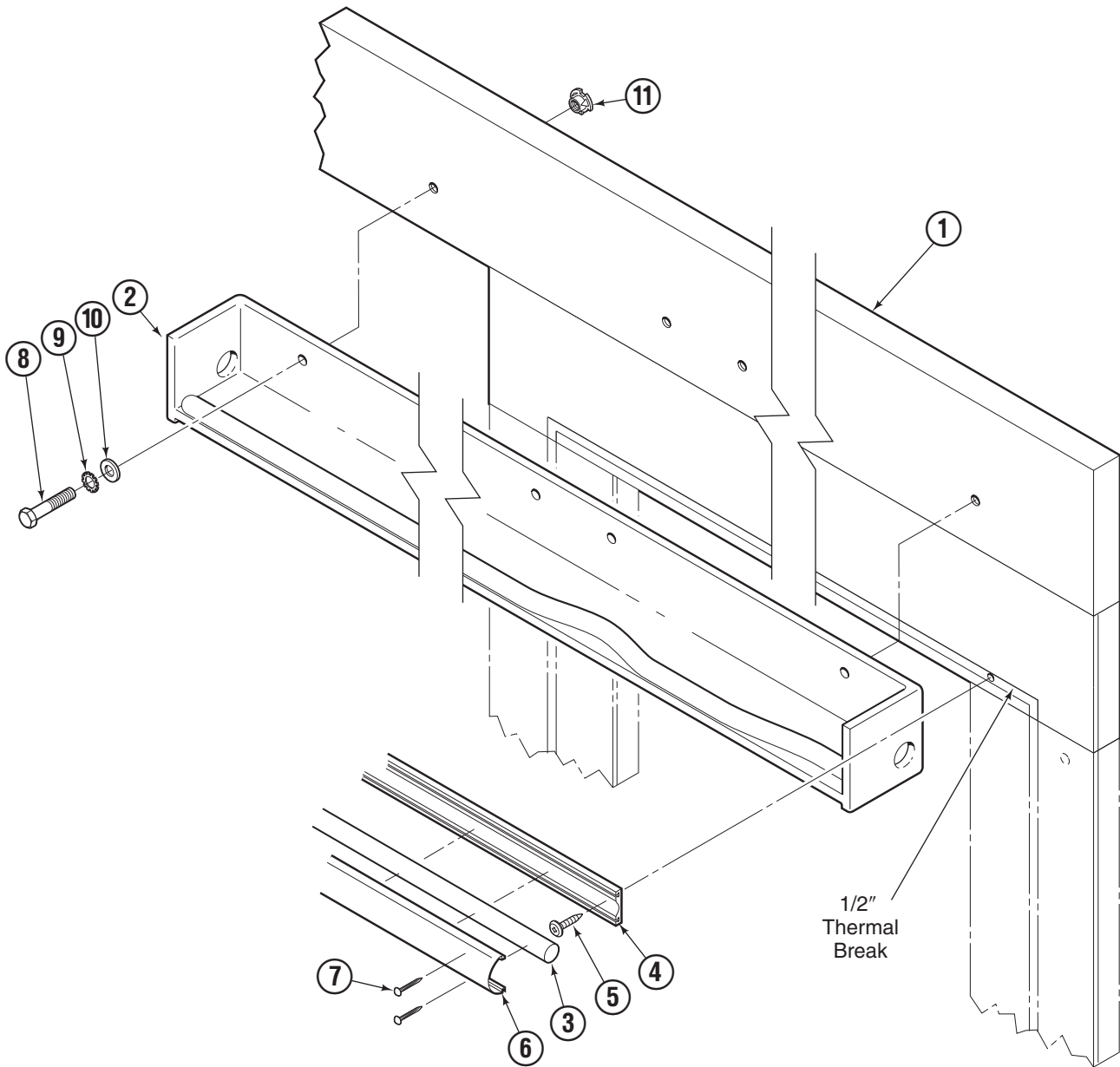
Use the front cover illustration as a guide to the sections contained in the parts manual.

This manual is intended to include replacement parts for both Single and Bi-Parting Manual Sliding Doors produced by R-PLUS Walk-In Cooler Cold Storage Doors.

1. These part lists contain some parts which may be ordered as assemblies. In the Description column, the assemblies have their sub-parts indented under them. The entire assembly can be ordered with a single part number for the assembly. Sub-parts can be ordered individually with their own part numbers.
2. Quantities listed for sub-parts are for *one* complete assembly. Note that when two or more assemblies are shown, the quantities of the sub-parts are still indicated as those necessary for *one* assembly.
3. When a Part Number and Description appears with no Reference number, this means the part or assembly has not been illustrated.
4. When a Reference number and Description appears with no Part Number, the part is either not available, or available only as a sub-part of a larger assembly.
5. When ordering parts, specify Part Number, Description and quantity desired. In some cases, it may be necessary to provide the Door Serial Number, size, or finish. In *all* cases, it is *beneficial* to provide the Serial Number of the Door.

A

Door Header Assembly

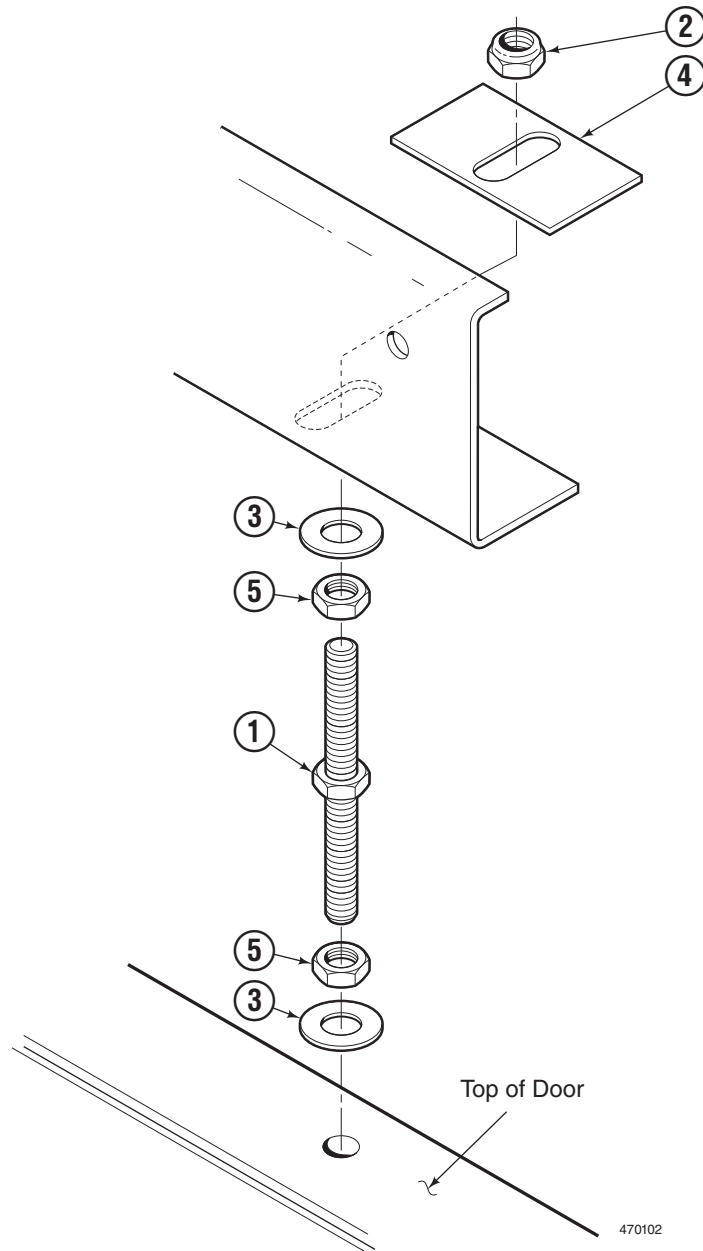


470103

REF	QTY	PART NO.	DESCRIPTION
	1	★	Sliding Door Header Assembly
1	1	-	Door Header
2	1	-	Door Track
3	2	1543	Backer Rod, 7/8"
4	1	0366	Black Sliding Door Gasket Retainer, 1-3/8"
5	12" o/c	-	Sheet Metal Screw, Phillips Truss Hd, #8 x 3/4"
6	1	0368	Black Sliding Door Gasket (Top), Sanoprene
7	12" o/c	0208	Twisted Nail, Aluminum, 1"
8	24" o/c	-	Capscrew, 3/8"-16 x 1-3/4", Hex Head
9	24" o/c	-	Lockwasher, External Tooth, 3/8"
10	24" o/c	-	Flat Washer, 3/8"
11	24" o/c	-	T-Nut, 3/8"-16

★ Consult Factory to order parts. Specify Door Size and Serial Number.

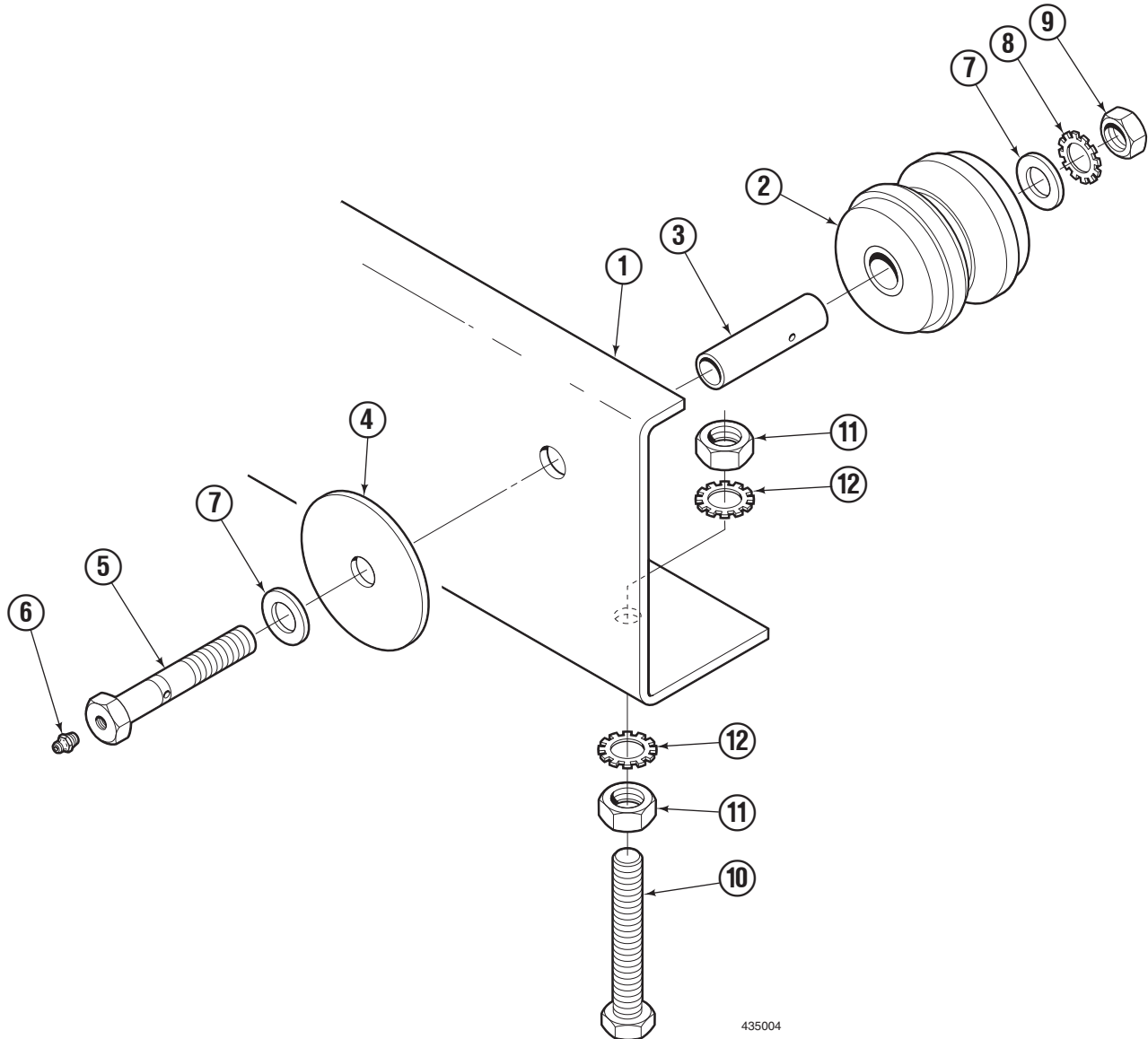
Adjuster Rod Assembly



REF	QTY	PART NO.	DESCRIPTION
	2	1003	Adjuster Rod Assembly
1	1	-	Threaded Stud with Welded Nut, 3/4"-10 x 7"
2	1	-	Lock Nut, 3/4"-10, Nylon, Thin
3	2	-	Flat Washer, 3/4"
4	1	1605	Slotted Backing Plate
5	2	-	Hex Nut, 3/4"-10

C

**Door Hanger and Track Roller Assembly
Standard Duty Channel**

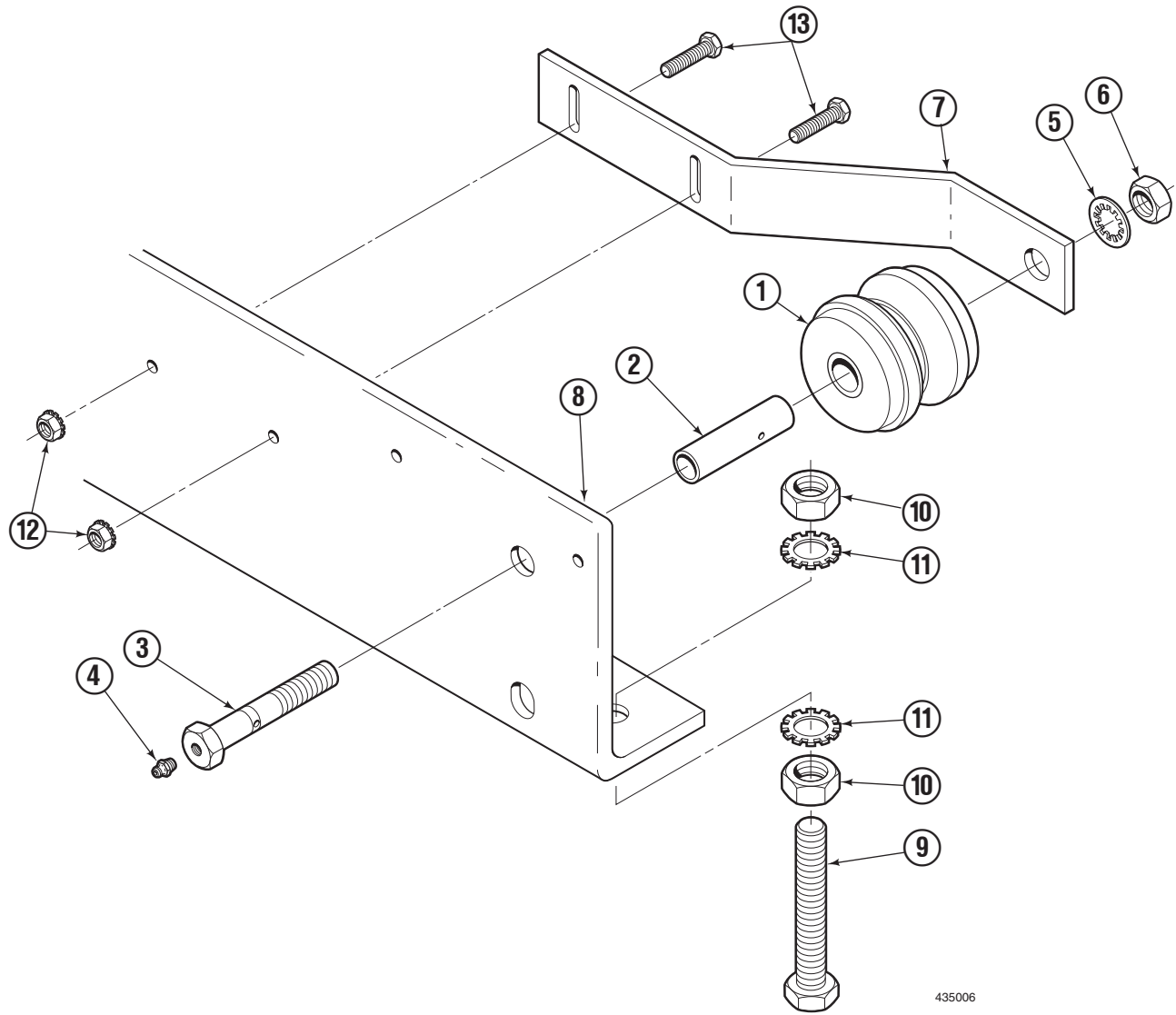


435004

REF	QTY	PART NO.	DESCRIPTION
	1	★	Door Hanger Assembly
1	1	-	10 Ga. HDG Channel
	2	1181	Track Roller Assembly
2	1	1382	V-Groove Steel Roller, 2.94" OD x 2.186" W
3	1	3503	Bushing
4	1	-	Fender Washer, 7/16" x 3"
5	1	-	Lubricating Capscrew, w/Grease Fitting
6	1	-	Grease Fitting
7	2	-	Flat Washer, 7/16" SAE
8	1	-	Lockwasher, External Tooth, 7/16"
9	1	-	Finished Hex Nut, 7/16"-14
	2	1000A	Anti-Jump Bolt
10	1	-	Capscrew, 1/2"-13 x 2-1/2", Full Thread
11	2	-	Hex Nut, 1/2"-13
12	2	-	Lockwasher, External Tooth, 1/2"

★ Consult Factory to order parts. Specify Door Size and Serial Number.

Door Hanger and Track Roller Assembly Extra Heavy Duty Angle



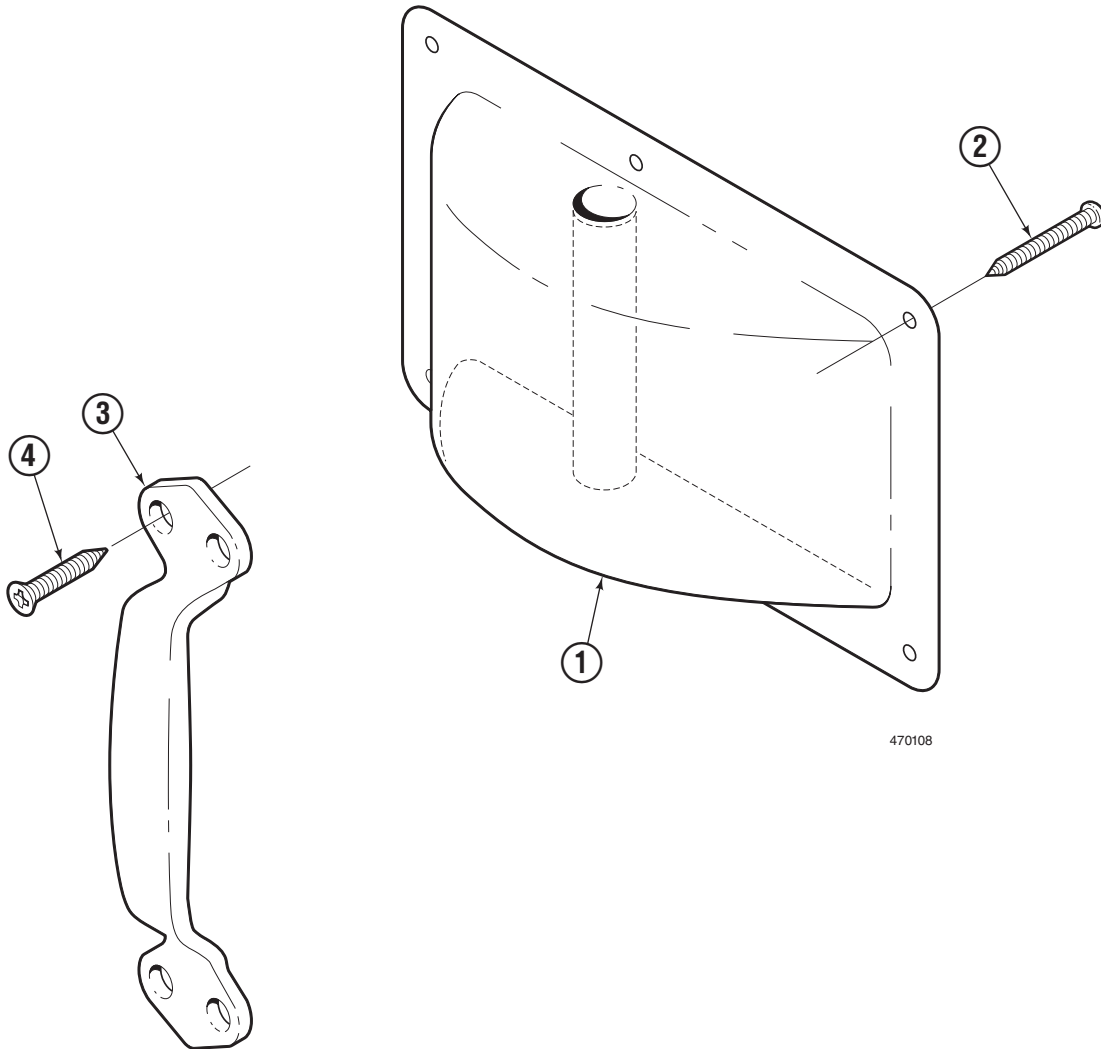
435006

REF	QTY	PART NO.	DESCRIPTION
	1	★	Door Hanger Assembly
	2	1181	Track Roller Assembly
1	1	1382	V-Groove Steel Roller, 2.94" OD x 2.186" W
2	1	3503	Bushing
3	1	-	Lubricating Capscrew, w/Grease Fitting
4	1	-	Grease Fitting
5	1	-	Lockwasher, Internal Tooth, 7/16"
6	1	-	Hex Nut, 7/16"
7	2	1606	Track Roller Bracket, 10 Ga. HDG
8	1	-	1/4" Steel Angle
	2	1000A	Anti-Jump Bolt
9	1	-	Capscrew, 1/2"-13 x 2-1/2", Full Thread
10	2	-	Hex Nut, 1/2"-13
11	2	-	Lockwasher, External Tooth, 1/2"
12	4	-	Lock Nut w/External Tooth, 1/4"-20
13	4	-	Capscrew, 1/4"-20 x 1"

★ Consult Factory to order parts. Specify Door Size and Serial Number.

D

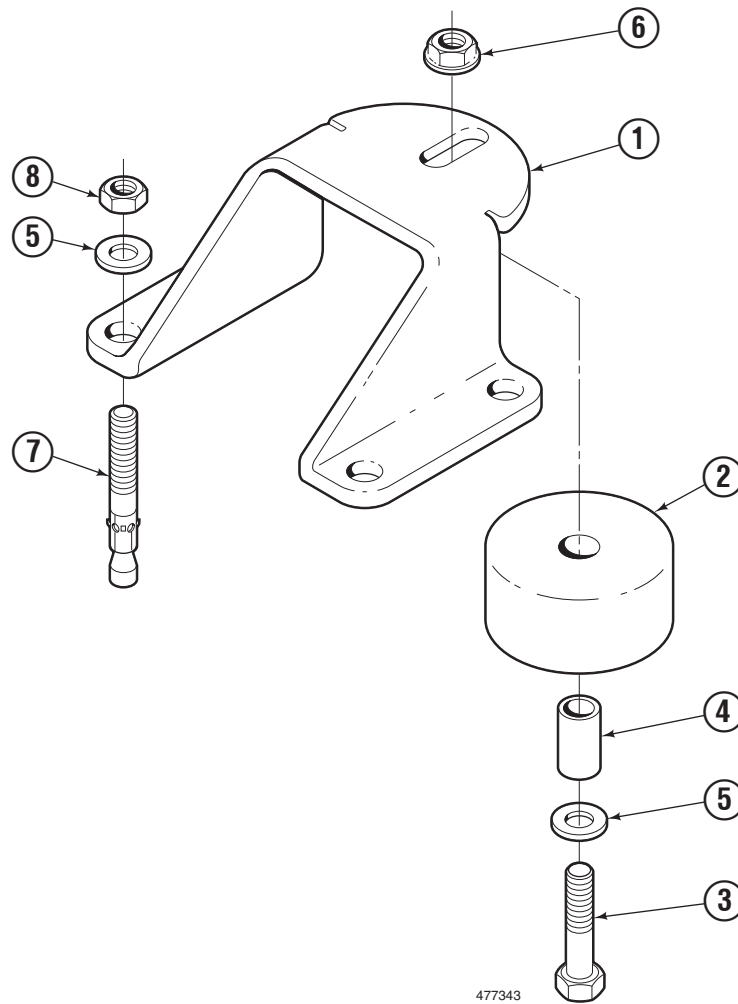
Door Handle Assembly



470108

REF	QTY	PART NO.	DESCRIPTION
1	1	0383	Interior Pull Handle, Zinc Plated
2	6	1401	Sheet Metal Screw, Phillips Pan Hd, #8 x 3/4"
3	1	0321	Exterior Handle, Chrome Plated
4	4	0979	Sheet Metal Screw, Phillips FH, #14 x 1-1/2"

Stay Roller Assembly

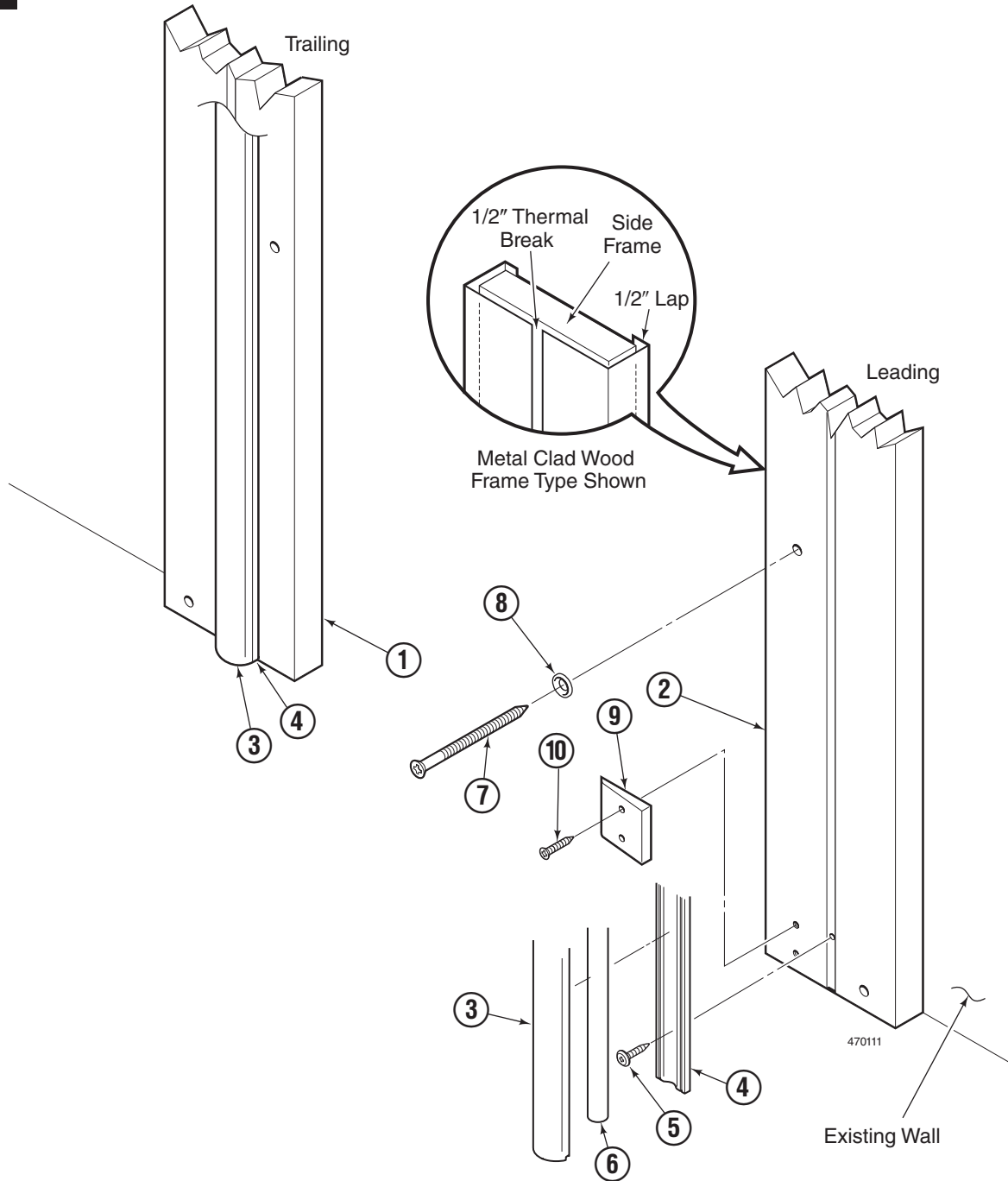


477343

REF	QTY	PART NO.	DESCRIPTION
	2	-	Stay Roller Assembly
1	1	3355	Stay Roller Bracket HDG
2	1	0748	UHMW Stay Roller, 5/8" ID x 3" OD x 1-3/4"
3	1	-	Capscrew, 3/8"-16 x 2-3/4"
4	1	0251	Oilite Bushing, 5/8" OD x 3/8" ID x 1-7/8"
5	6	-	Flat Washer, 3/8"
6	4	-	Lock Nut, Serrated Flange, 3/8"-16
7	4	-	Concrete Anchor, 3/8"-16 x 2-3/4"
8	4	-	Finished Hex Nut, 3/8"-16

F

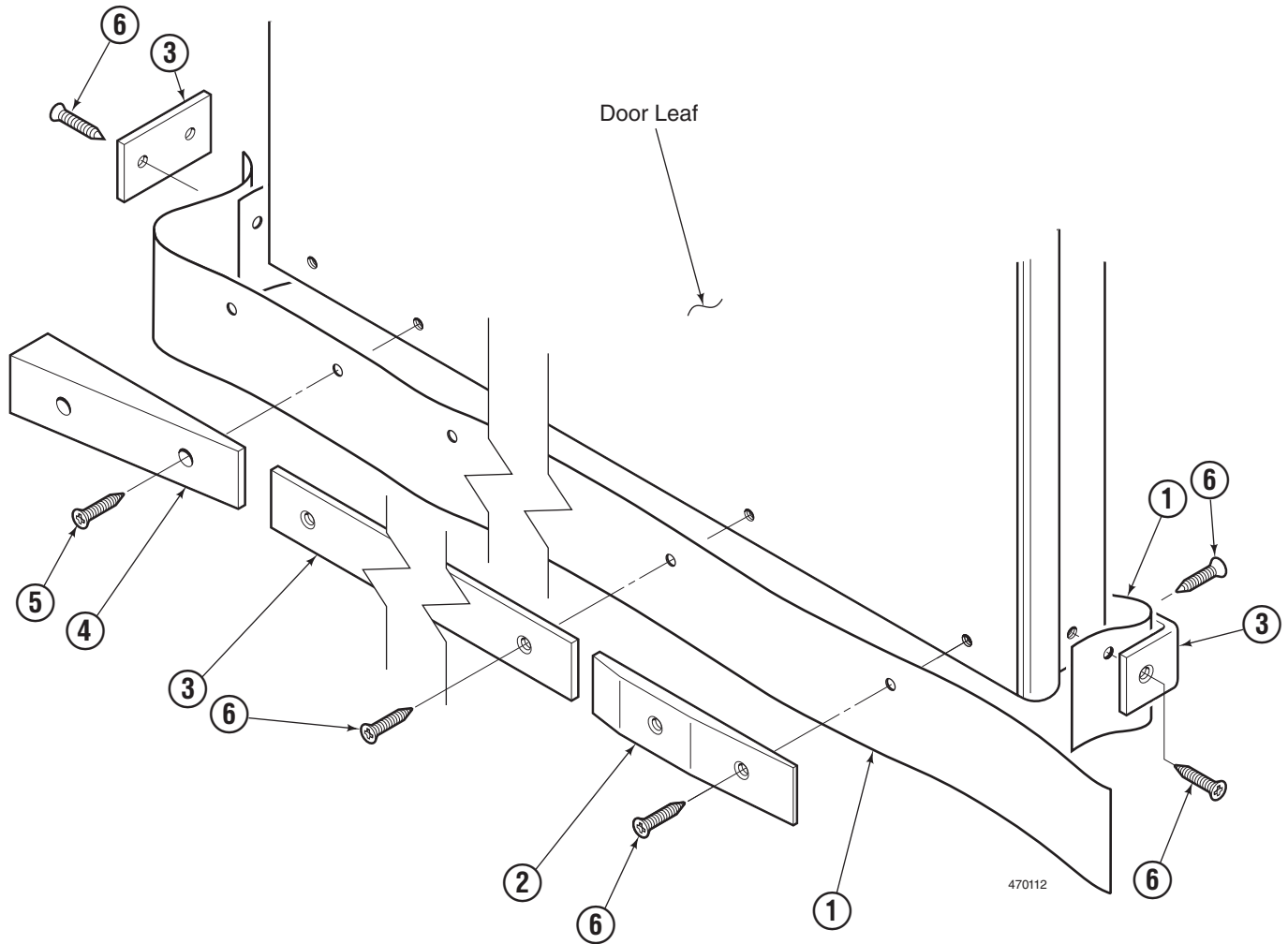
Side Frames and Gasket



REF	QTY	PART NO.	DESCRIPTION
1	1	-	Side Frame, Trailing
2	1	-	Side Frame, Leading
3	2	0368	Black Sliding Door Gasket, Sanoprene
4	2	0366	Black Sliding Door Gasket Retainer, PVC
5	12" o/c	-	Sheet Metal Screw, Phillips Truss Hd, #8 x 3/4"
6	2	1543	Backer Rod, 7/8"
7	24" o/c	-	Sheet Metal Screw, Phillips Flat Head, #18 x 4"
8	24" o/c	-	Finish Washer, #18
9	1	0742	Black UHMW Door Wedge (Single Door Only)
10	2	-	Sheet Metal Screw, Phillips Flat Head, #14 x 1"

Note: Specify Frame type, size, and finish, when ordering parts. Contact the factory if necessary.

Door Snubber Assembly



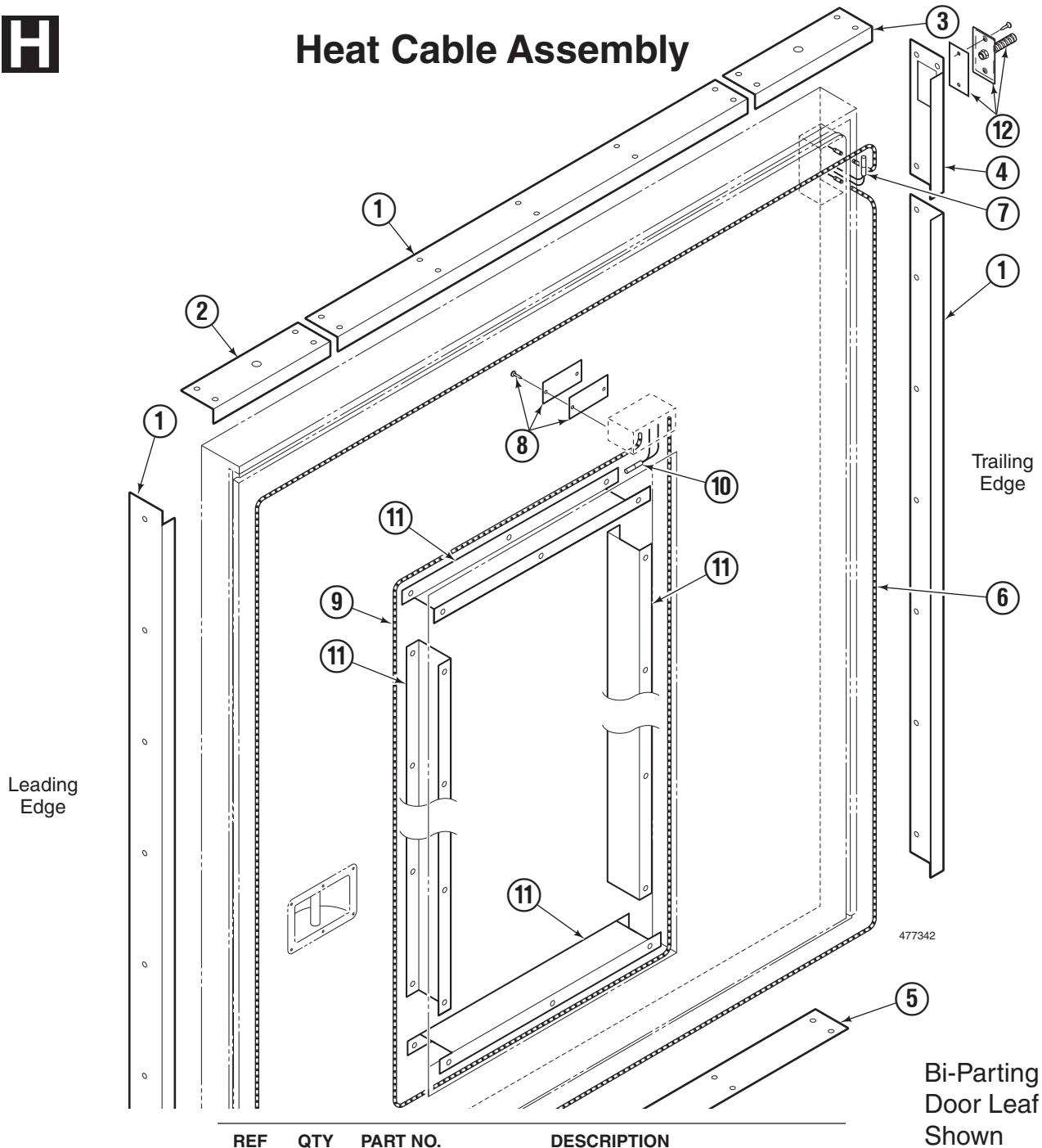
REF	QTY	PART NO.	DESCRIPTION
1	★	0631	Black Sweep Gasket, Neoprene, 3" Bulk
2	1	0616	Black UHMW Leading Edge Snubber (Single Door)
3	★	0605	Black Roller Strip, HTP 220, 2" Bulk
4	1	0618	Black UHMW Trailing Edge Snubber
5	4	-	Sheet Metal Screw, Phillips FH, #12 x 1-1/2"
6	10" o/c	-	Sheet Metal Screw, Phillips FH, #10 x 1-1/2"

★ Specify Door Size when ordering parts.

Note: Single Door Shown. Bi-Parting Doors use the same bulk parts and hardware.



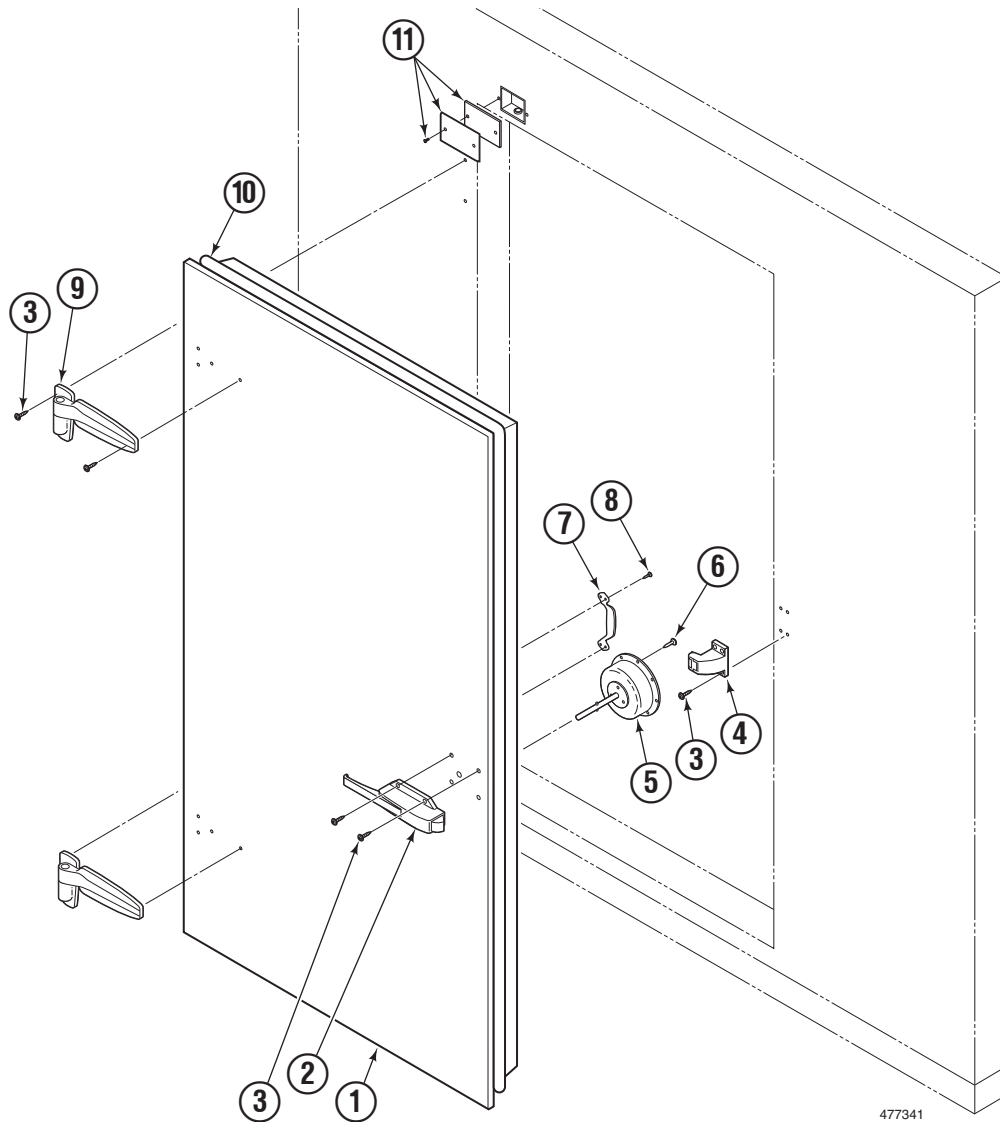
Heat Cable Assembly



REF	QTY	PART NO.	DESCRIPTION
1		★	Heat Cable Cover–Bulk
2	1	–	Heat Cable Cover–Top, Leading Edge Corner
3	1	–	Heat Cable Cover–Top, Trailing Edge Corner
4	1	–	Heat Cable Cover–Side, Trailing Edge Corner
5	1	★	Heat Cable Cover–Bottom
6	1	★	Heat Cable Loop
7	1	3367	Thermostat
8	2	–	Face Plate, 2" x 4", with gasket & screws
9	1	★	Heat Cable Loop–Personnel Door
10	1	3367	Thermostat
11	2	★	Heat Cable Cover–Bulk, Personnel Door
12	2	–	Face Plate, 2" x 4", gasket, screws, & strain relief

★ Specify Door Size or material length when ordering parts. Cover parts are not pre-drilled. Custom fitting to length is necessary.
 Note: Specify Door Size and Type (Single or Bi-Parting) when ordering parts.

Personnel Door Assembly

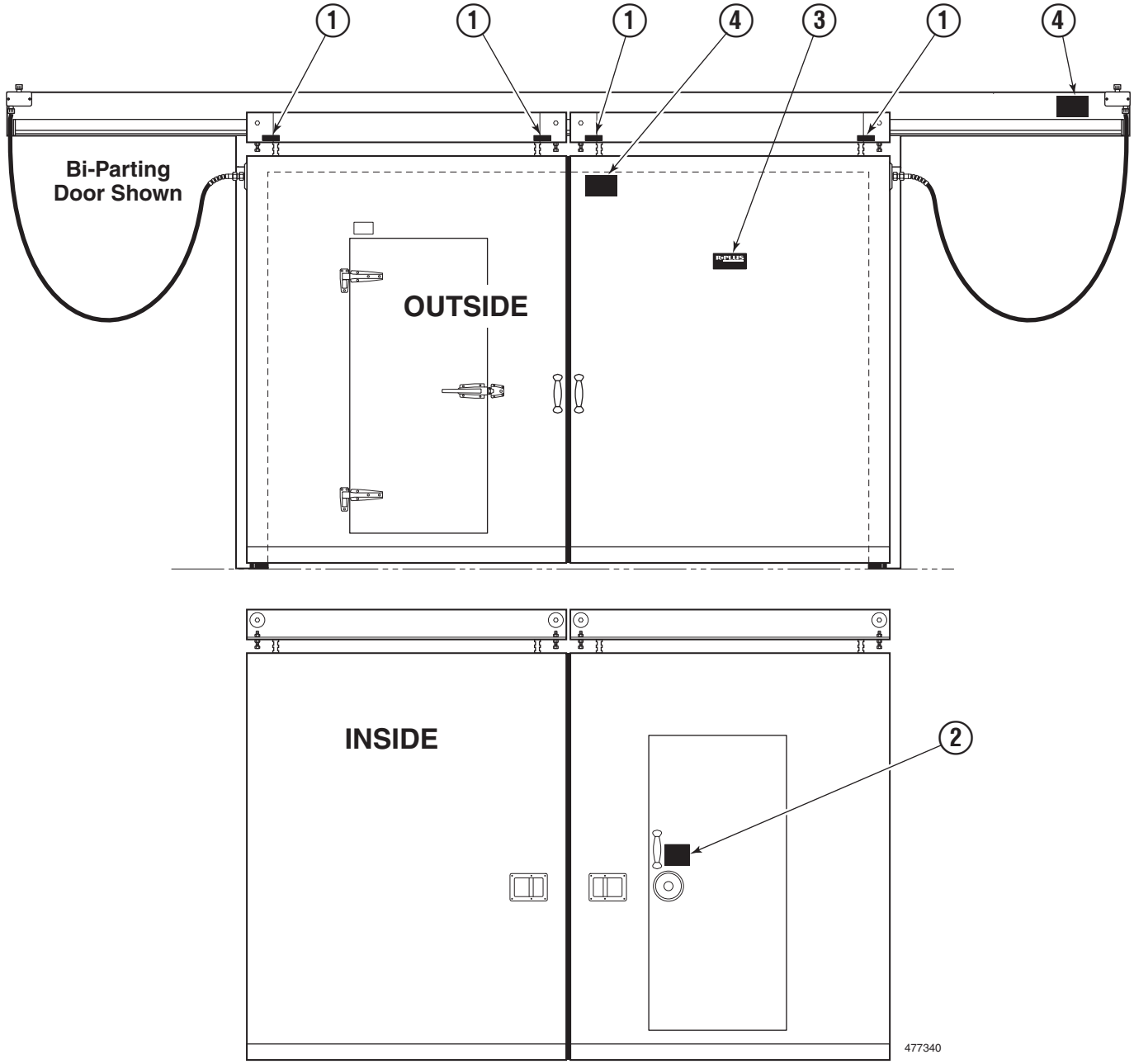


477341

REF	QTY	PART NO.	DESCRIPTION
	1	-	Personnel Door Assembly
1	1	-	Personnel Door
2	1	-	Latch, Chrome
3	24	-	Sheet Metal Screw, Phillips FH, #14 x 1-1/2"
4	1	-	Strike, Chrome
5	1	-	Inside Safety Release with Cup
6	8	-	Sheet Metal Screw, Phillips Pan Hd, #10 x 3/4"
7	1	0321	Pull Handle, Chrome
8	4	-	Sheet Metal Screw, Phillips FH, #14 x 1-1/2"
9	2	-	Hinge, Chrome
10	1	3031	D Gasket, Bulk
11	1	0312	Face Plate, 2" x 4", with gasket & screw

K

Nameplates and Labels



REF	QTY	PART NO.	DESCRIPTION
1	4	2322	Label, Anti-Jump Bolt
2	1	-	Label, SafeGuard Latch
3	1	-	Nameplate, R-Plus
4	2	-	Label and Cover, Serial Number

R•PLUS

COLD STORAGE DOORS

2271 NE 194th • Portland, Oregon 97230
Toll Free (877) 320-3599 • Fax (503) 665-2929
www.RPlusDoors.com

For the latest manuals and resources, just
snap on the QR Code, or visit
sp.rplusdoors.info

