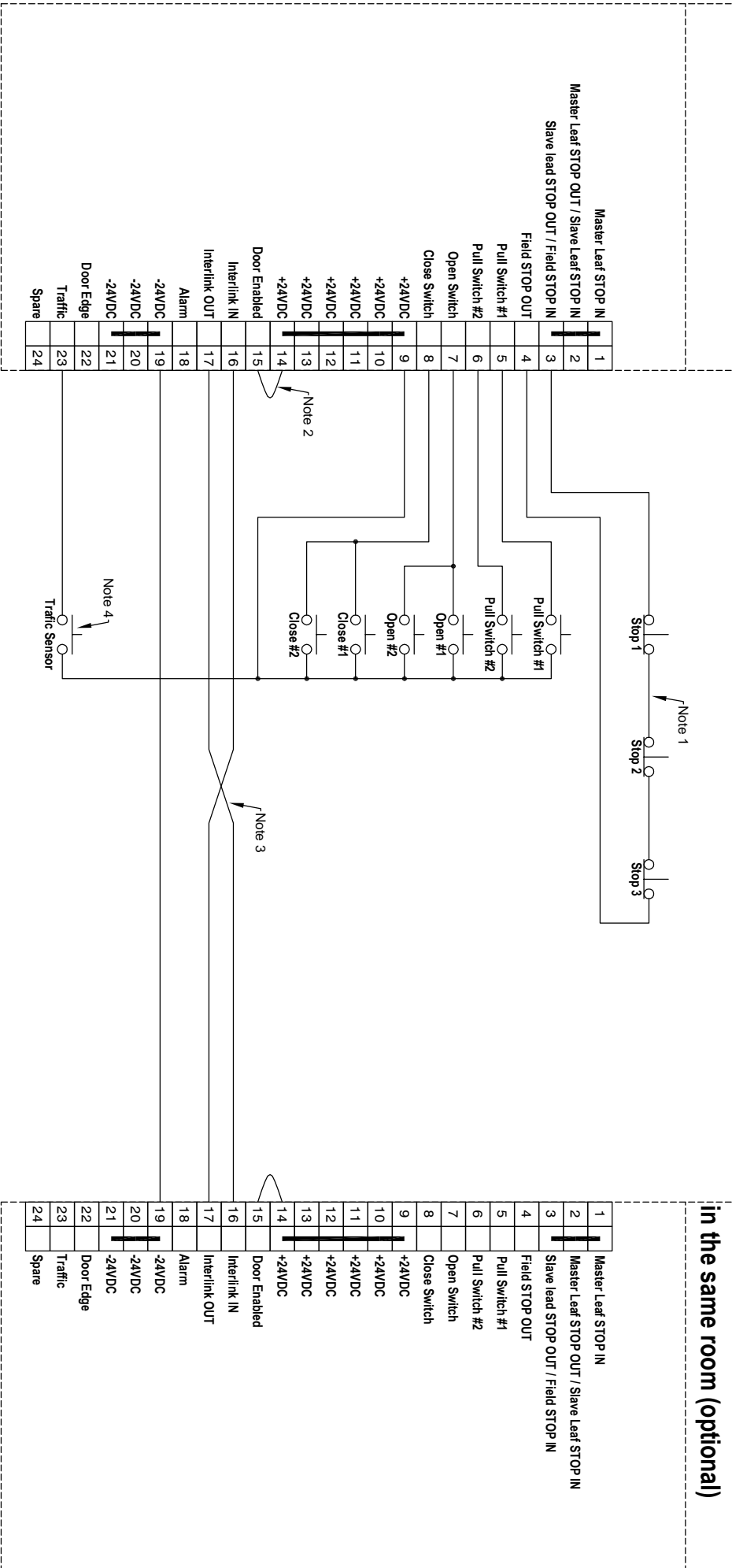


Control Panel



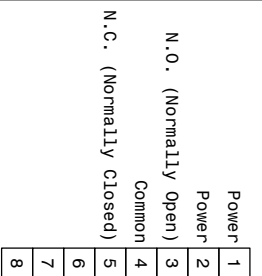
Control Panel from another door in the same room (optional)

NOTES:

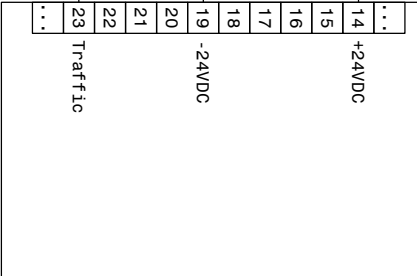
- 1-When using Stop switches, remove/cut jumper located over control panel terminal blocks 3 and 4
- 2-Remove cable jumper located between control panel terminal blocks 14 and 15 to use the Door Enable signal.
- 3-Only (2) doors can be interlinked together. External relays by others must be used to interlock more than (2) doors. -24VDC connection is required between both control panels.
- 4-Traffic sensor may be a photo-eye, a magnetic loop, a motion sensor, etc. Sensor must have a normally open dry contact. Sensors provided by R-Plus Doors may be powered using 24VDC power available in control panel.

WARNING: Seal raceways passing from different temperature areas. Seal junction box cover plates.

D38 Motion Sensor

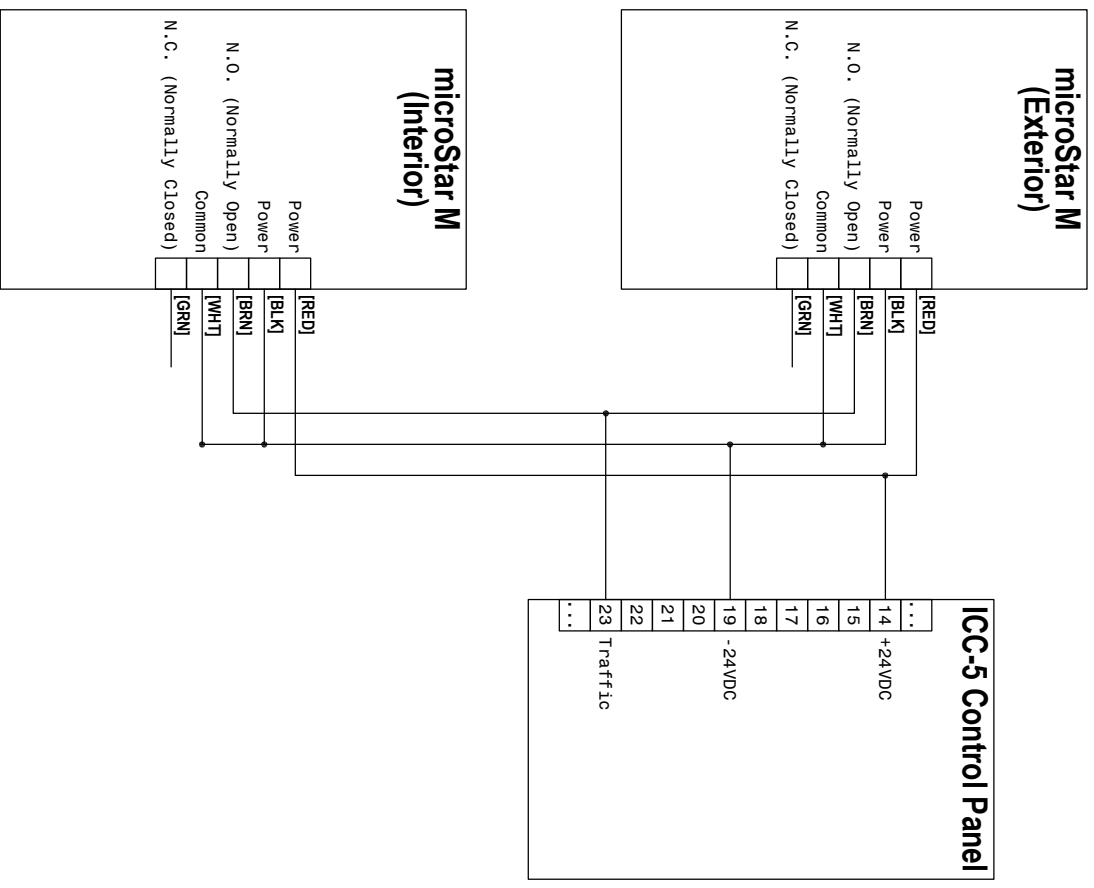


ICC-5 Control Panel

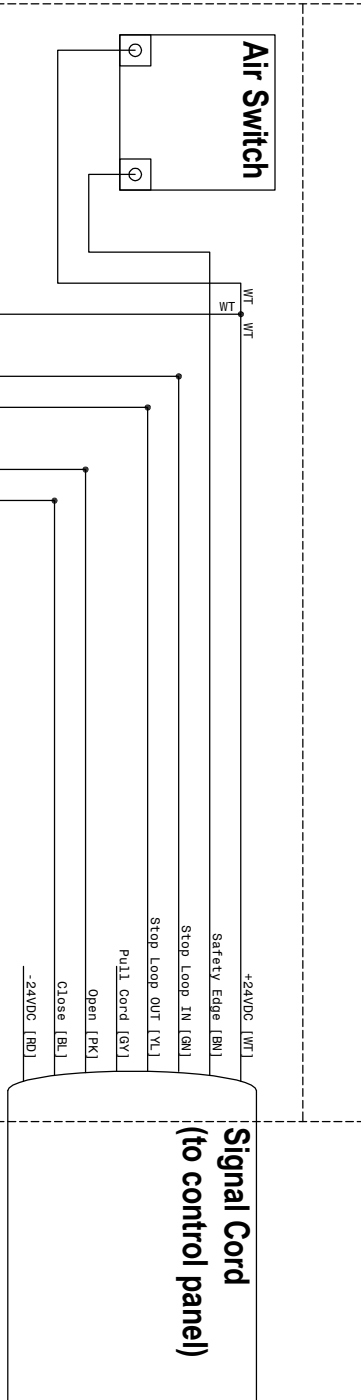


WARNING: Seal raceways passing from different temperature areas. Seal junction box cover plates.

WARNING: Seal raceways passing from different temperature areas. Seal junction box cover plates.



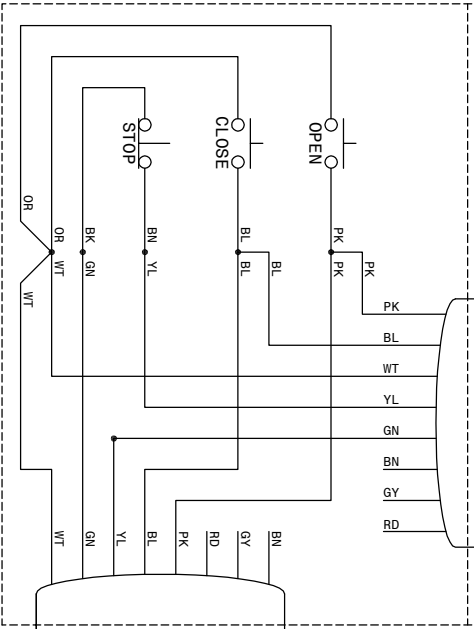
Door leaf Junction Box



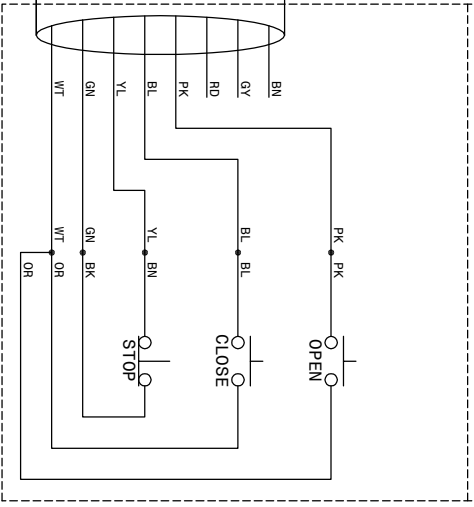
NOTE: REMOVE JUMPER BETWEEN CONTROL PANEL TERMINAL BLOCKS 1 AND 2

WARNING: Seal raceways passing from different temperature areas. Seal junction box cover plates.

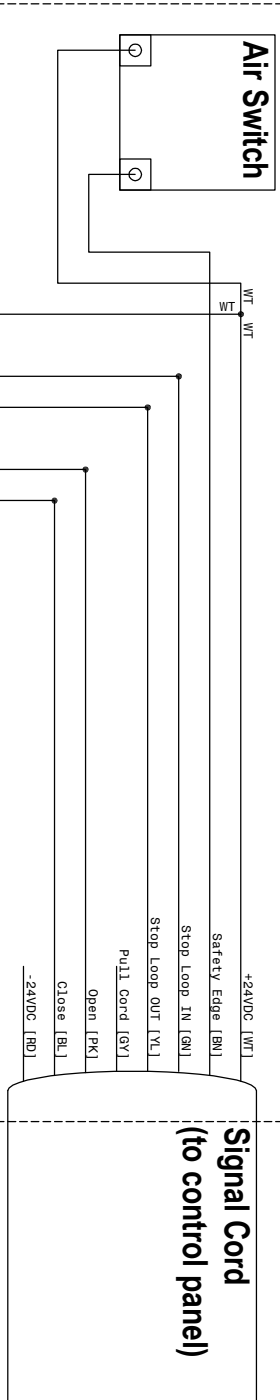
3-Button Station (Exterior)



3-Button Station (Interior)



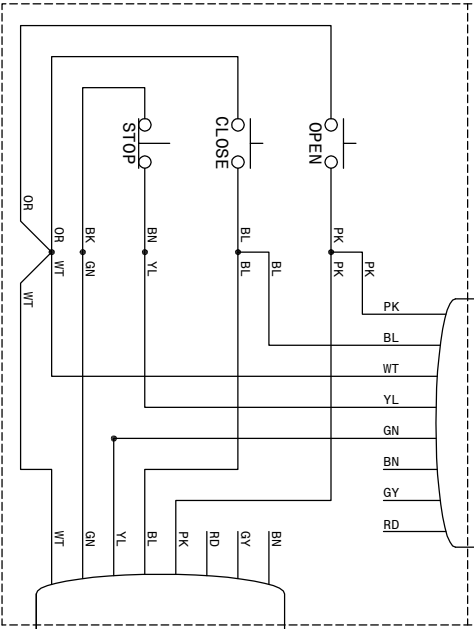
Door leaf Junction Box



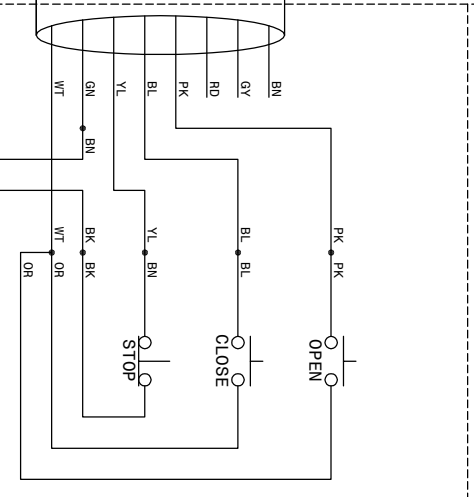
NOTE: REMOVE JUMPER BETWEEN CONTROL PANEL TERMINAL BLOCKS 1 AND 2

WARNING: Seal raceways passing from different temperature areas. Seal junction box cover plates.

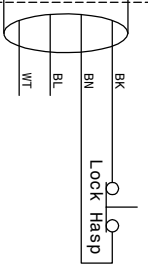
3-Button Station (Exterior)



3-Button Station (Interior)

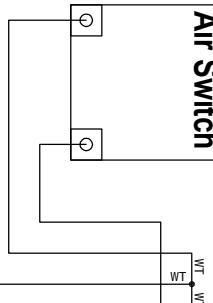


Lock Hasp (Exterior)

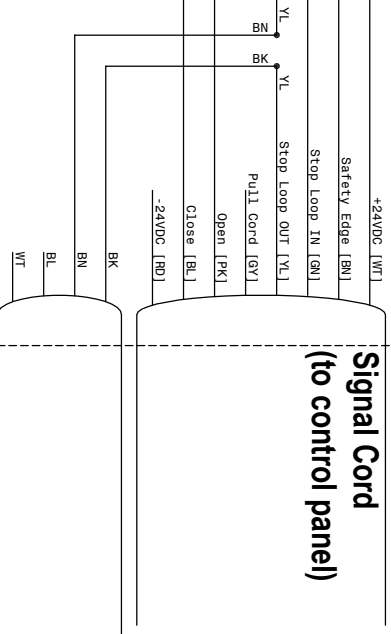


Door leaf Junction Box

Air Switch

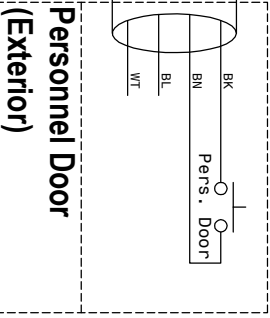


**Signal Cord
(to control panel)**

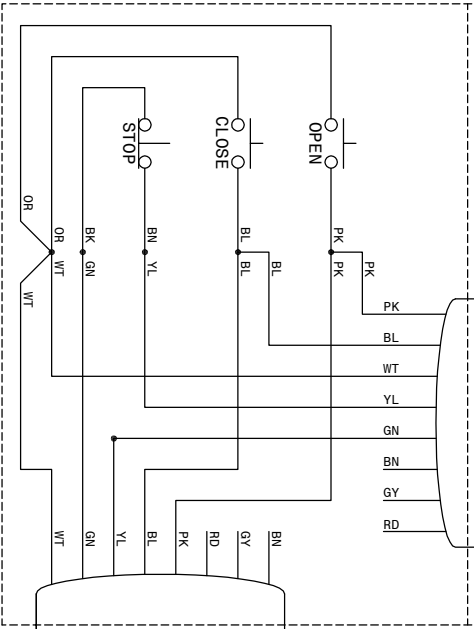


NOTE: REMOVE JUMPER BETWEEN CONTROL PANEL TERMINAL BLOCKS 1 AND 2

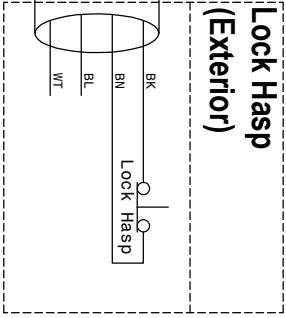
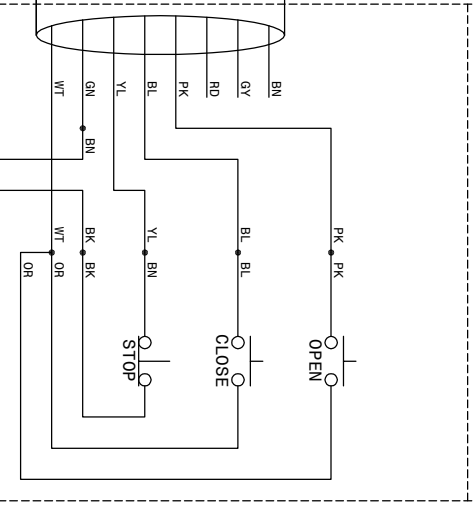
WARNING: Seal raceways passing from different temperature areas. Seal junction box cover plates.



**3-Button Station
(Exterior)**

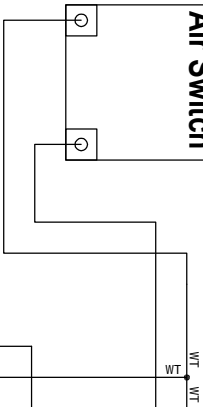


**3-Button Station
(Interior)**



Door leaf Junction Box

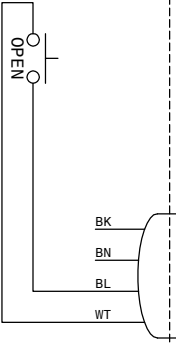
Air Switch



- +24VDC (WT)
- Safety Edge (BN)
- Stop Loop IN (GN)
- Stop Loop OUT (YL)
- PULL Cord (GY)
- Open (PK)
- Close (BL)
- 24VDC (RD)

**Signal Cord
(to control panel)**

**Open Switch
(Exterior Or Interior)**

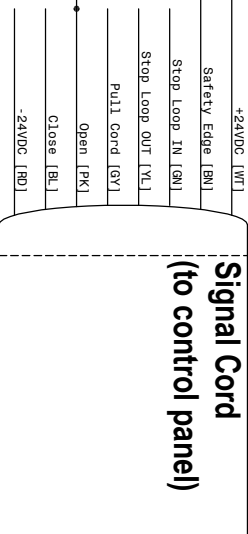
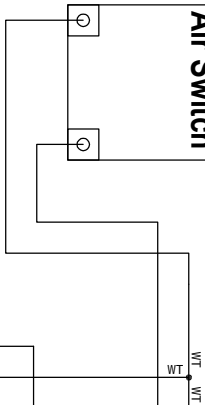


- BK
- BN
- BL
- WT

WARNING: Seal raceways passing from different temperature areas. Seal junction box cover plates.

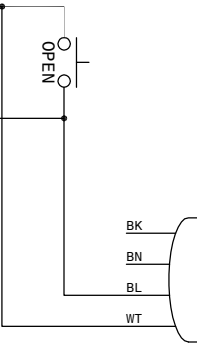
Door leaf Junction Box

Air Switch

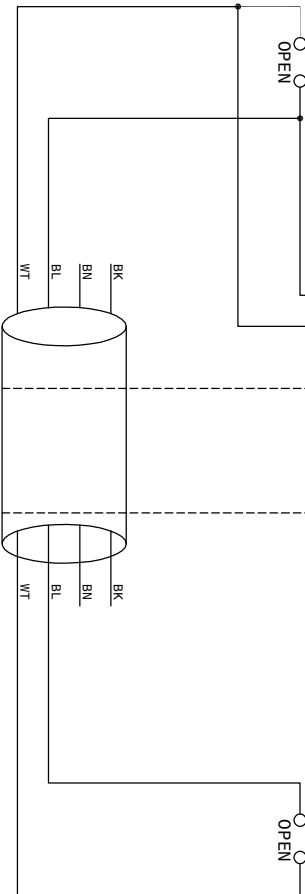


WARNING: Seal raceways passing from different temperature areas. Seal junction box cover plates.

Open Switch (Exterior)

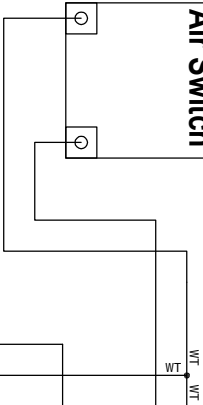


Open Switch (Interior)



Door leaf Junction Box

Air Switch



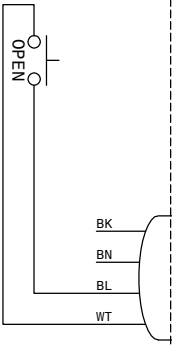
WT WT

+24VDC (WT)
Safety Edge (BN)
Stop Loop IN (GN)
Stop Loop OUT (YL)
Pull Cord (GY)
Open (PK)
Close (BL)
-24VDC (RD)

Signal Cord
(to control panel)

WARNING: Seal raceways passing from different temperature areas. Seal junction box cover plates.

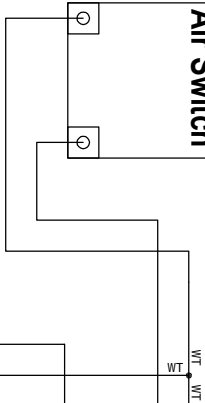
Open Switch
(Exterior Or Interior)



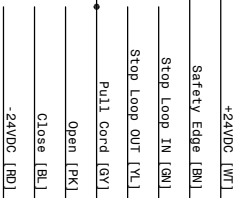
BK
BN
BL
WT

Door leaf Junction Box

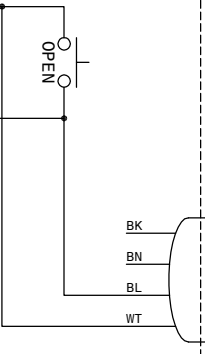
Air Switch



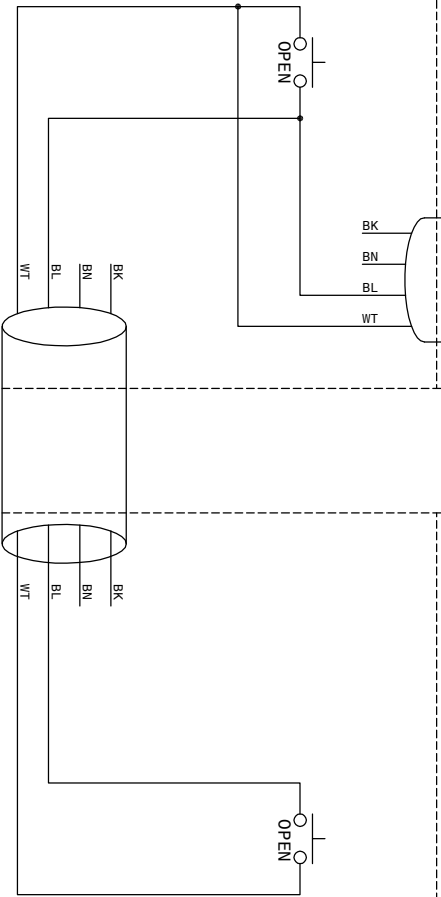
**Signal Cord
(to control panel)**



**Open Switch
(Exterior)**



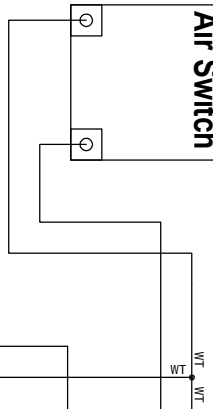
**Open Switch
(Interior)**



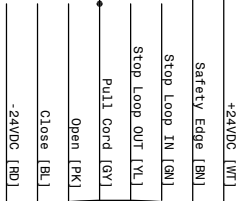
WARNING: Seal raceways passing from different temperature areas. Seal junction box cover plates.

Door leaf Junction Box

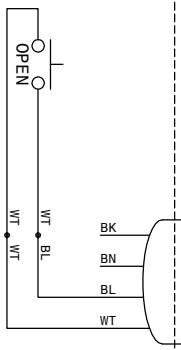
Air Switch



**Signal Cord
(to control panel)**



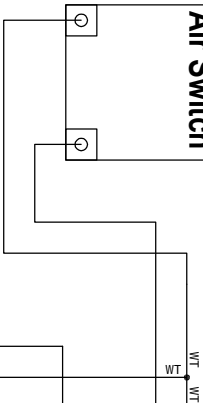
**Open Switch
(Exterior Or Interior)**



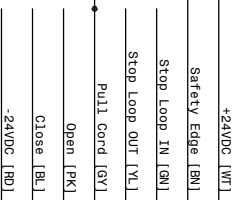
WARNING: Seal raceways passing from different temperature areas. Seal junction box cover plates.

Door leaf Junction Box

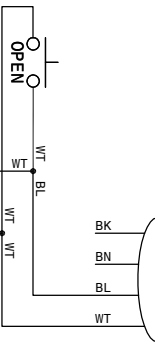
Air Switch



**Signal Cord
(to control panel)**



**Open Switch
(Exterior)**



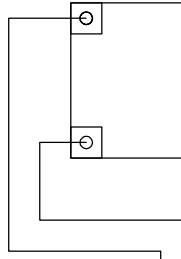
**Open Switch
(Interior)**



WARNING: Seal raceways passing from different temperature areas. Seal junction box cover plates.

Door leaf Junction Box

Air Switch

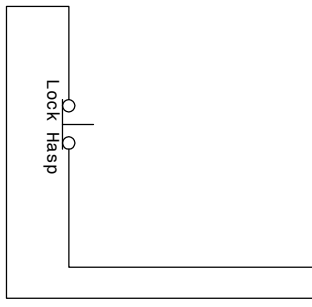


Signal Cord
(to control panel)

+24VDC [WT]
Safety Edge [BN]
Stop Loop IN [BL]
Stop Loop OUT [BK]

Lock Hasp
(Exterior)

WT
BN
BL
BK

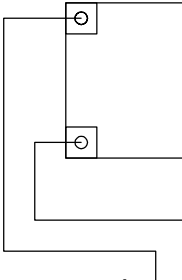


NOTE: REMOVE JUMPER BETWEEN CONTROL PANEL TERMINAL BLOCKS 2 AND 3

WARNING: Seal raceways passing from different temperature areas. Seal junction box cover plates.

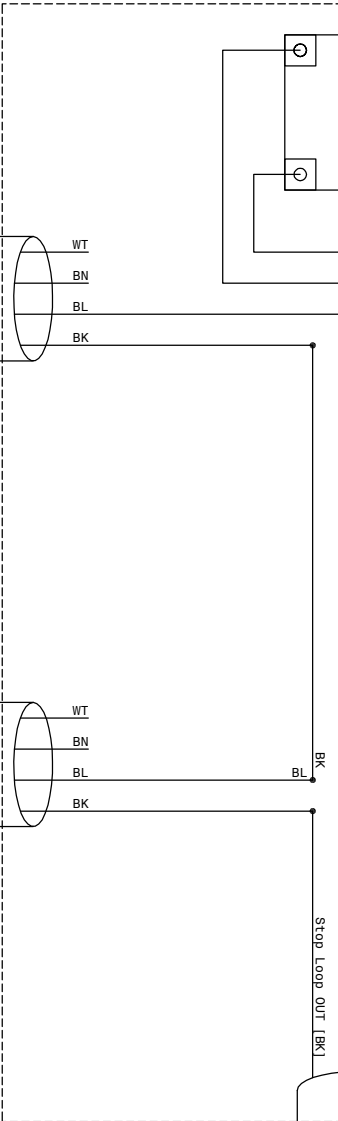
Door leaf Junction Box

Air Switch

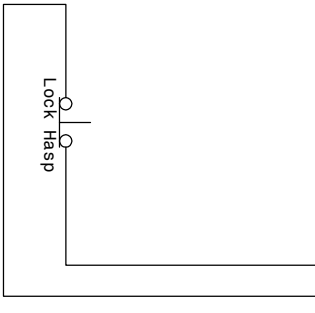
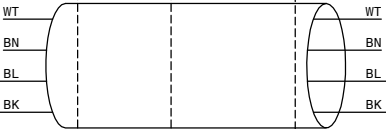


**Signal Cord
(to control panel)**

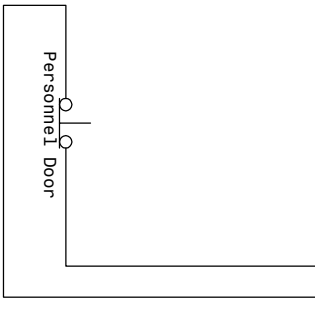
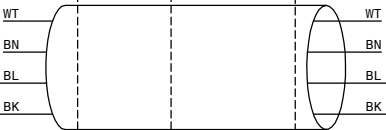
+24VDC (WT)
Safety Edge (BN)
Stop Loop IN (BL)
Stop Loop OUT (BK)



**Lock Hasp
(Exterior)**



**Lock Hasp
(Exterior)**



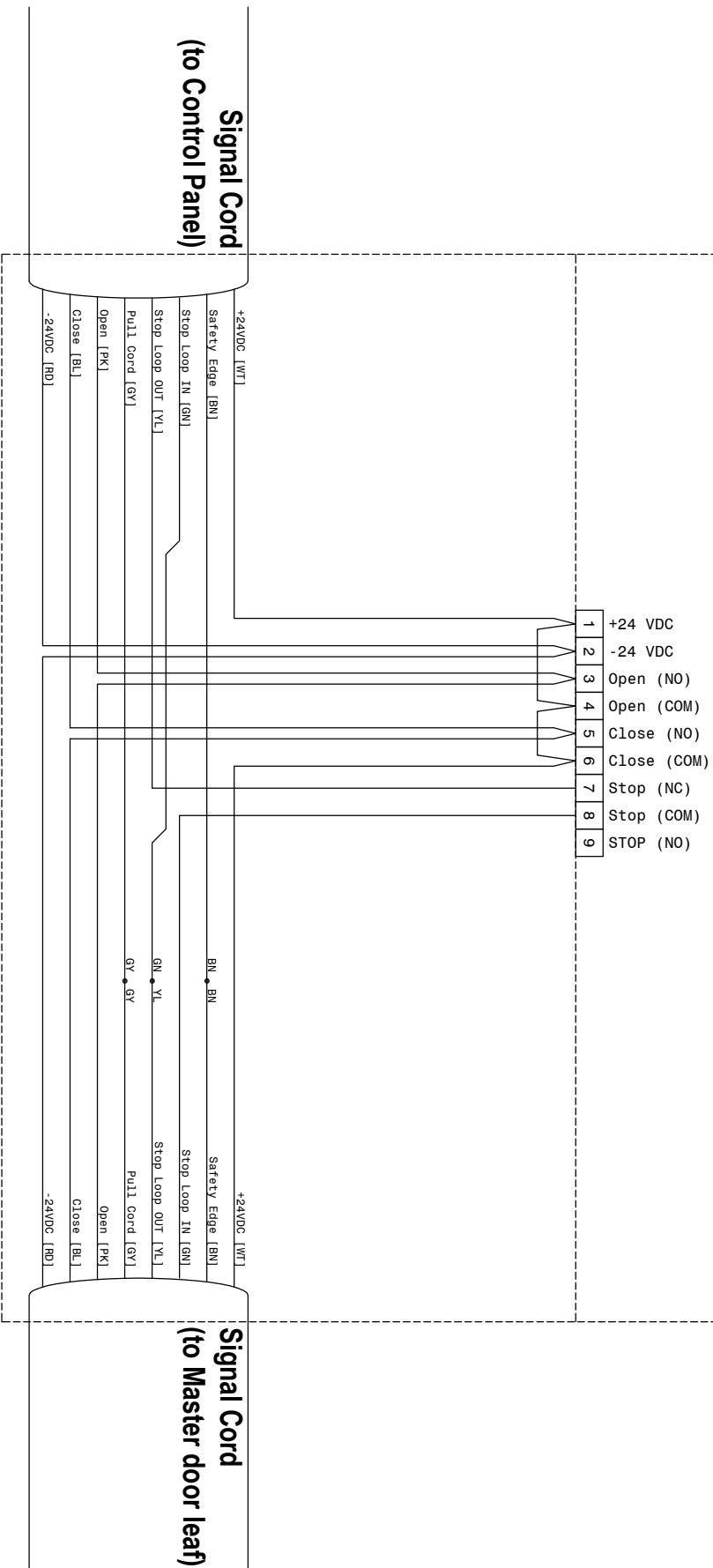
NOTE: REMOVE JUMPER BETWEEN CONTROL PANEL TERMINAL BLOCKS 2 AND 3

WARNING: Seal raceways passing from different temperature areas. Seal junction box cover plates.

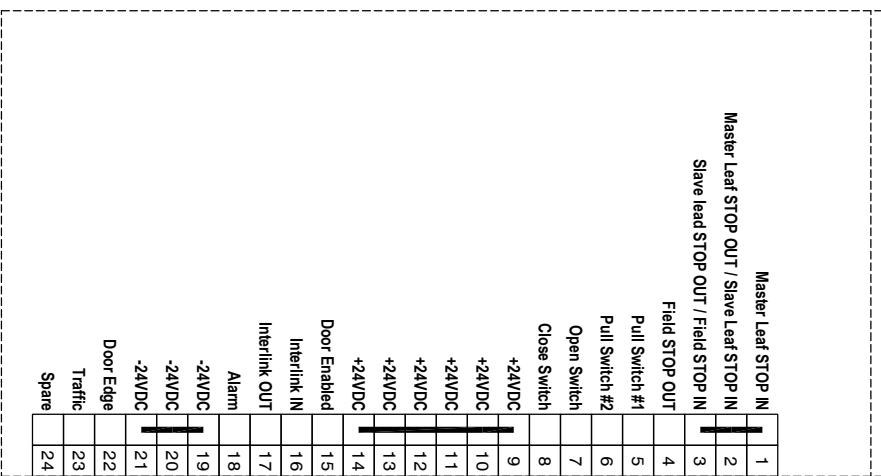
RECEIVER - PULSAR MMTC 831R

NOTE: REMOVE JUMPER BETWEEN CONTROL PANEL TERMINAL BLOCKS 1 AND 2

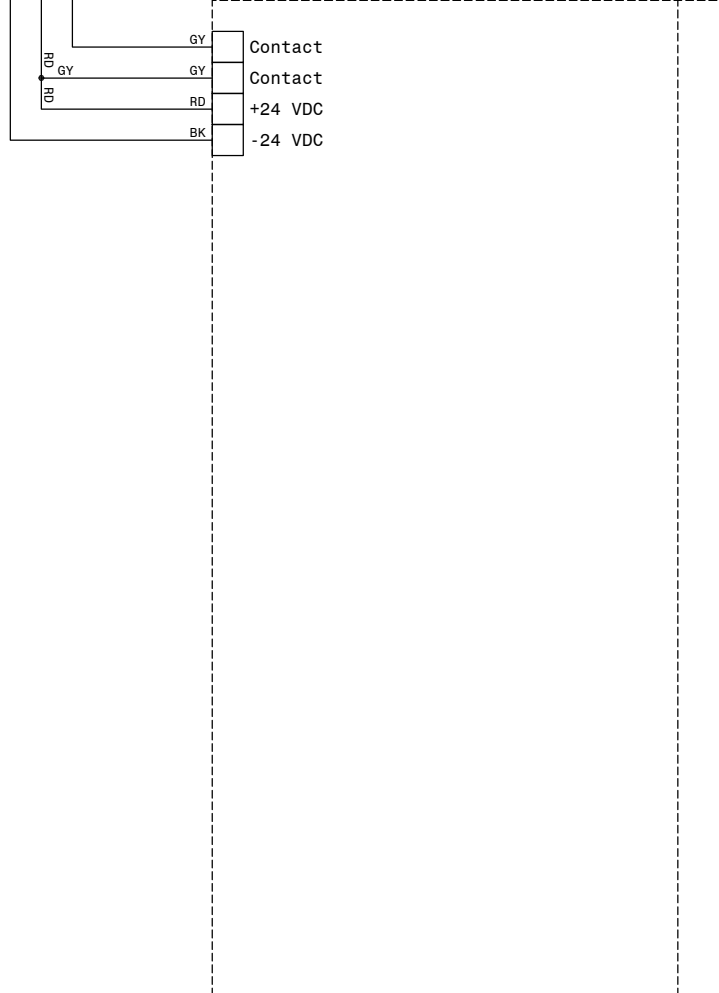
WARNING: Seal raceways passing from different temperature areas. Seal junction box cover plates.



Control Panel

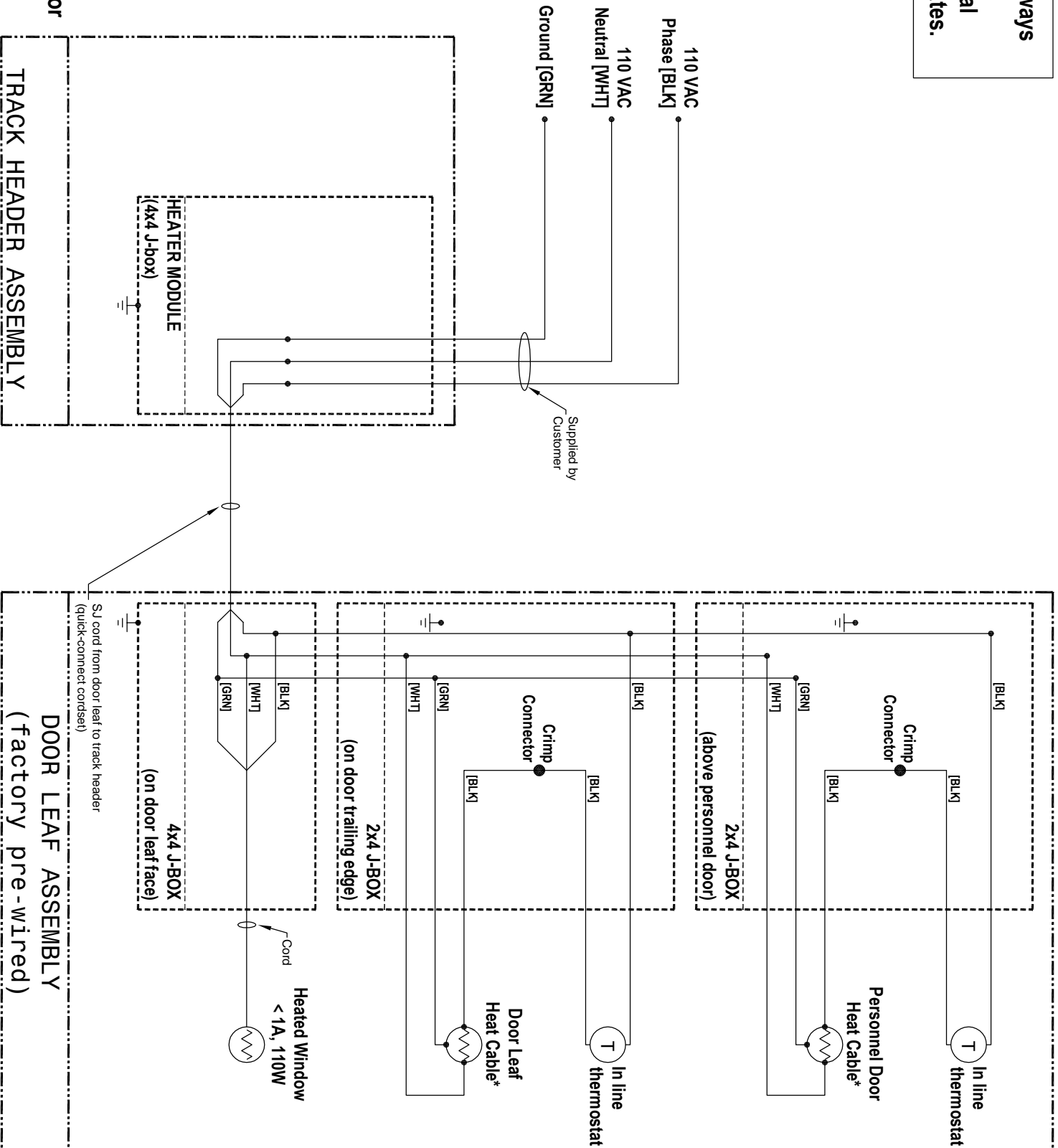


RECEIVER - LINEAR MULTI-CODE SINGLE CONTACT



WARNING: Seal raceways passing from different temperature areas. Seal junction box cover plates.

WARNING: Seal raceways passing from different temperature areas. Seal junction box cover plates.



*Refer to door drawings for electrical specifications

Receiver
XUX0ARCTT16T

- Power 1 [BLK]
- Power 2 [RED]
- N.O. (Normally Open) 3
- Common 4
- N.C. (Normally Closed) 5

Transmitter
XUX0ARCTT16T

- Power 1 [RED]
- Power 2 [BLK]

ICC-5 Control Panel

- ...
- 14 +24VDC
- 15
- 16
- 17
- 18
- 19 -24VDC
- 20
- 21
- 22
- 23 Traffic
- ...

WARNING: Seal raceways passing from different temperature areas. Seal junction box cover plates.

NOTE: Photo-eyes receivers sent with doors are preset at the factory.

