



Phone: 1-877-320-3599  
 Fax: 503.665.2929  
[www.rplusdoors.com](http://www.rplusdoors.com)

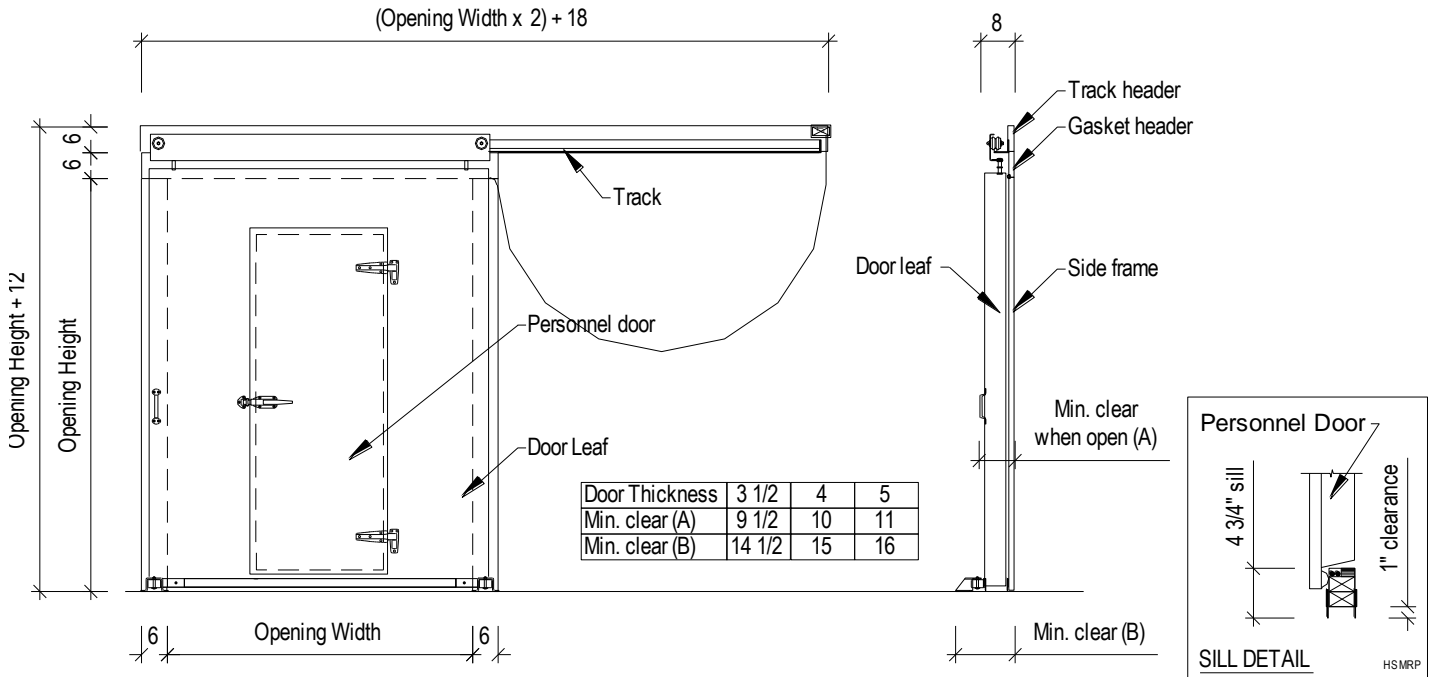
Job Number: \_\_\_\_\_

Job Name: \_\_\_\_\_

Date: \_\_\_\_\_

Quantity: \_\_\_\_\_

## Horizontal Manual Sliding Door w/ Personnel Door (Right Slide, Right Hinge)



<b>Net Opening</b> Width: _____ Height: _____	<b>Door Type</b> <input type="checkbox"/> Cooler <input type="checkbox"/> Freezer Temperature: _____°F	<b>Door Panel Thickness:</b> <input type="checkbox"/> 3 1/2" <input type="checkbox"/> 4" <input type="checkbox"/> 5"	<b>Exterior Finish</b> <input type="checkbox"/> Smooth <input type="checkbox"/> Stucco <input type="checkbox"/> Steel Galvanized <input type="checkbox"/> Steel White <input type="checkbox"/> Aluminum <input type="checkbox"/> Aluminum White <input type="checkbox"/> Stainless steel* _____ <input type="checkbox"/> Galvanneal* _____ <input type="checkbox"/> Other _____ <input type="checkbox"/> Rigidized <input type="checkbox"/> Kickplates ( <input type="checkbox"/> Swing / <input type="checkbox"/> Slider ) <input type="checkbox"/> Aluminum Diamond Tread <input type="checkbox"/> Galvanized <input type="checkbox"/> _____ *smooth only	<b>Interior Finish</b> <input type="checkbox"/> Smooth <input type="checkbox"/> Stucco <input type="checkbox"/> Steel Galvanized <input type="checkbox"/> Steel White <input type="checkbox"/> Aluminum <input type="checkbox"/> Aluminum White <input type="checkbox"/> Stainless Steel* _____ <input type="checkbox"/> Galvanneal* _____ <input type="checkbox"/> Other _____ <input type="checkbox"/> Rigidized <input type="checkbox"/> Kickplates ( <input type="checkbox"/> Swing / <input type="checkbox"/> Slider ) <input type="checkbox"/> Aluminum Diamond Tread <input type="checkbox"/> Galvanized <input type="checkbox"/> _____ *smooth only
<b>Options</b> <input type="checkbox"/> Lock Hasp w/ Safety Release <input type="checkbox"/> Breaker Handle <input type="checkbox"/> Heated Threshold <input type="checkbox"/> Double Frame & Header <input type="checkbox"/> Return Jambs Wall Thickness: _____ <input type="checkbox"/> View Window (in wicket door) <input type="checkbox"/> Non-Heated <input type="checkbox"/> Heated		<b>Wicket Door</b> Width: _____ Height: _____ <input type="checkbox"/> Heat Cable <input type="checkbox"/> "D" Gasket <input type="checkbox"/> Magnetic Gasket <input type="checkbox"/> (_____) Hinges _____ <input type="checkbox"/> Latch/Strike _____ <input type="checkbox"/> Inside Release _____ <input type="checkbox"/> Closer _____ <input type="checkbox"/> Cylinder Lock _____ <input type="checkbox"/> Locking Bar _____		

Charges will be assumed by buyer for changes or cancellations to work in process. Buyer hereby accepts responsibility for all sizes and dimensions. This order will not be processed until all acknowledgment forms are signed and returned.

Specifications Accepted by: \_\_\_\_\_ Date: \_\_\_\_\_