



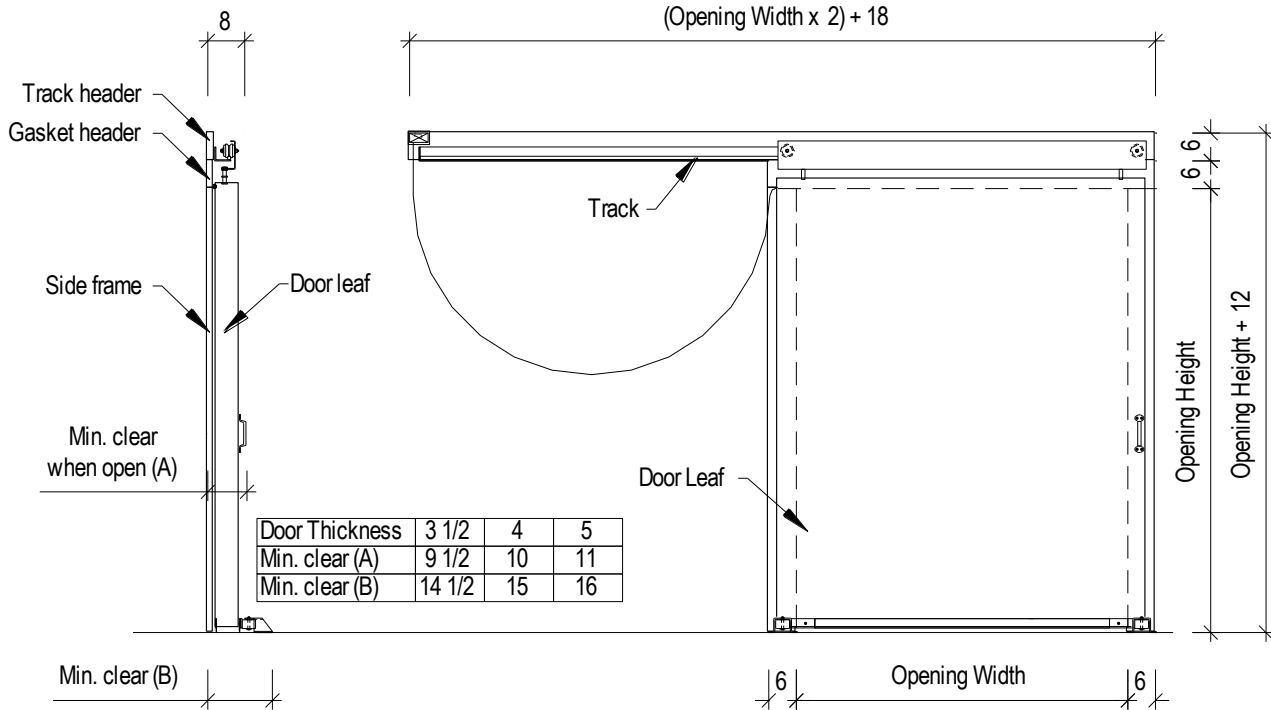
Job Number: _____

Job Name: _____

Date: _____

Quantity: _____

Horizontal Manual Sliding Door (Left Slide)



HSML

Net Opening Width: _____ Height: _____		Door Type <input type="checkbox"/> Cooler <input type="checkbox"/> Freezer Temperature: _____°F		Door Panel Thickness: <input type="checkbox"/> 3 1/2" <input type="checkbox"/> 4" <input type="checkbox"/> 5"		Exterior Finish <input type="checkbox"/> Smooth <input type="checkbox"/> Stucco <input type="checkbox"/> Steel Galvanized <input type="checkbox"/> Steel White <input type="checkbox"/> Aluminum <input type="checkbox"/> Aluminum White <input type="checkbox"/> Stainless Steel* _____ <input type="checkbox"/> Galvanneal* _____ <input type="checkbox"/> Other _____ <input type="checkbox"/> Rigidized <input type="checkbox"/> Kickplates <input type="checkbox"/> Aluminum Diamond Tread <input type="checkbox"/> Galvanized <input type="checkbox"/> _____ *smooth only		Interior Finish <input type="checkbox"/> Smooth <input type="checkbox"/> Stucco <input type="checkbox"/> Steel Galvanized <input type="checkbox"/> Steel White <input type="checkbox"/> Aluminum <input type="checkbox"/> Aluminum White <input type="checkbox"/> Stainless Steel* _____ <input type="checkbox"/> Galvanneal* _____ <input type="checkbox"/> Other _____ <input type="checkbox"/> Rigidized <input type="checkbox"/> Kickplates <input type="checkbox"/> Aluminum Diamond Tread <input type="checkbox"/> Galvanized <input type="checkbox"/> _____ *smooth only	
Options <input type="checkbox"/> Lock Hasp w/ Safety Release <input type="checkbox"/> Breaker Handle <input type="checkbox"/> Heated Threshold <input type="checkbox"/> Double Frame & Header <input type="checkbox"/> Return Jamb Wall Thickness: _____ <input type="checkbox"/> View Window <input type="checkbox"/> Non-Heated <input type="checkbox"/> Heated		Other _____ _____ _____ _____ _____ _____							

Charges will be assumed by buyer for changes or cancellations to work in process. Buyer hereby accepts responsibility for all sizes and dimensions. This order will not be processed until all acknowledgment forms are signed and returned.

Specifications Accepted by: _____ Date: _____



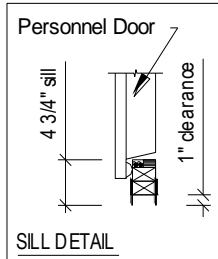
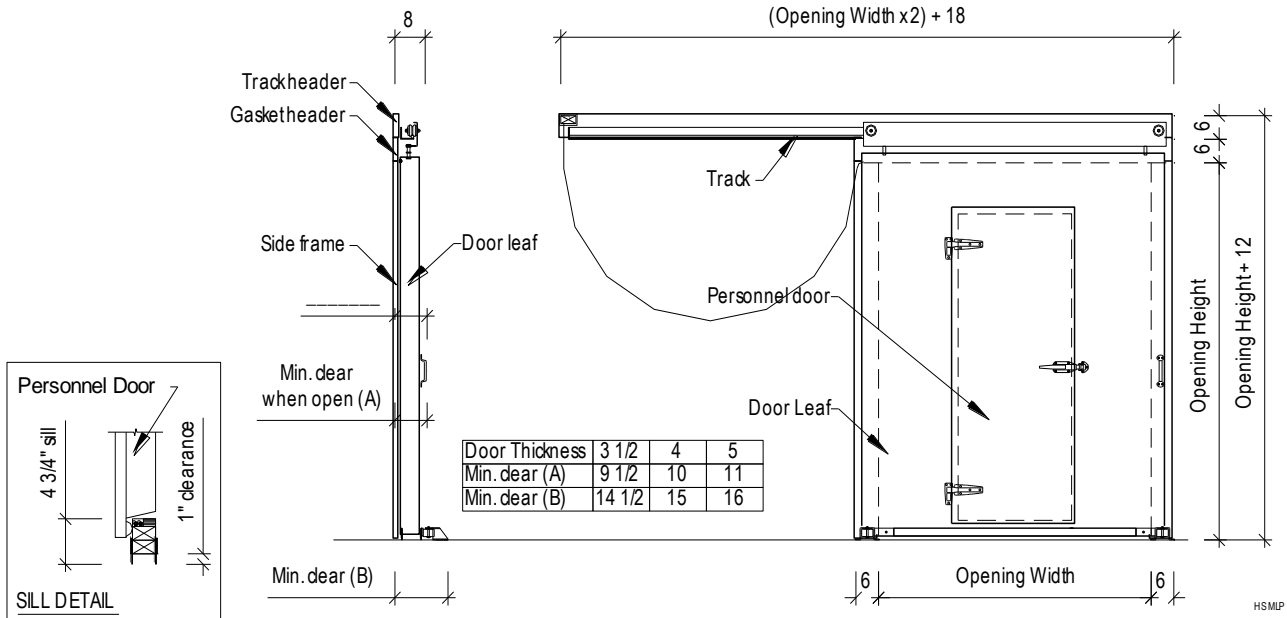
Job Number: _____

Job Name: _____

Date: _____

Quantity: _____

Horizontal Manual Sliding Door w/ Personnel Door (Left Slide, Left Hinge)



Net Opening Width: _____ Height: _____	Door Type <input type="checkbox"/> Cooler <input type="checkbox"/> Freezer Temperature: _____ °F	Door Panel Thickness: <input type="checkbox"/> 3 1/2" <input type="checkbox"/> 4" <input type="checkbox"/> 5"	Exterior Finish <input type="checkbox"/> Smooth <input type="checkbox"/> Stucco <input type="checkbox"/> Steel Galvanized <input type="checkbox"/> Steel White <input type="checkbox"/> Aluminum <input type="checkbox"/> Aluminum White <input type="checkbox"/> Stainless steel* _____ <input type="checkbox"/> Galvanneal* _____ <input type="checkbox"/> Other _____ <input type="checkbox"/> Rigidized <input type="checkbox"/> Kickplates (<input type="checkbox"/> Swing / <input type="checkbox"/> Slider) <input type="checkbox"/> Aluminum Diamond Tread <input type="checkbox"/> Galvanized <input type="checkbox"/> _____ *smooth only	Interior Finish <input type="checkbox"/> Smooth <input type="checkbox"/> Stucco <input type="checkbox"/> Steel Galvanized <input type="checkbox"/> Steel White <input type="checkbox"/> Aluminum <input type="checkbox"/> Aluminum White <input type="checkbox"/> Stainless Steel* _____ <input type="checkbox"/> Galvanneal* _____ <input type="checkbox"/> Other _____ <input type="checkbox"/> Rigidized <input type="checkbox"/> Kickplates (<input type="checkbox"/> Swing / <input type="checkbox"/> Slider) <input type="checkbox"/> Aluminum Diamond Tread <input type="checkbox"/> Galvanized <input type="checkbox"/> _____ *smooth only
Options <input type="checkbox"/> Lock Hasp w/ Safety Release <input type="checkbox"/> Breaker Handle <input type="checkbox"/> Heated Threshold <input type="checkbox"/> Double Frame & Header <input type="checkbox"/> Return Jamb Wall Thickness: _____ <input type="checkbox"/> View Window (in wicket door) <input type="checkbox"/> Non-Heated <input type="checkbox"/> Heated	Wicket Door Width: _____ Height: _____ <input type="checkbox"/> Heat Cable <input type="checkbox"/> "D" Gasket <input type="checkbox"/> Magnetic Gasket <input type="checkbox"/> (_____) Hinges _____ <input type="checkbox"/> Latch/Strike _____ <input type="checkbox"/> Inside Release _____ <input type="checkbox"/> Closer _____ <input type="checkbox"/> Cylinder Lock _____ <input type="checkbox"/> Locking Bar _____			

Charges will be assumed by buyer for changes or cancellations to work in process. Buyer hereby accepts responsibility for all sizes and dimensions. This order will not be processed until all acknowledgment forms are signed and returned.

Specifications Accepted by: _____ Date: _____



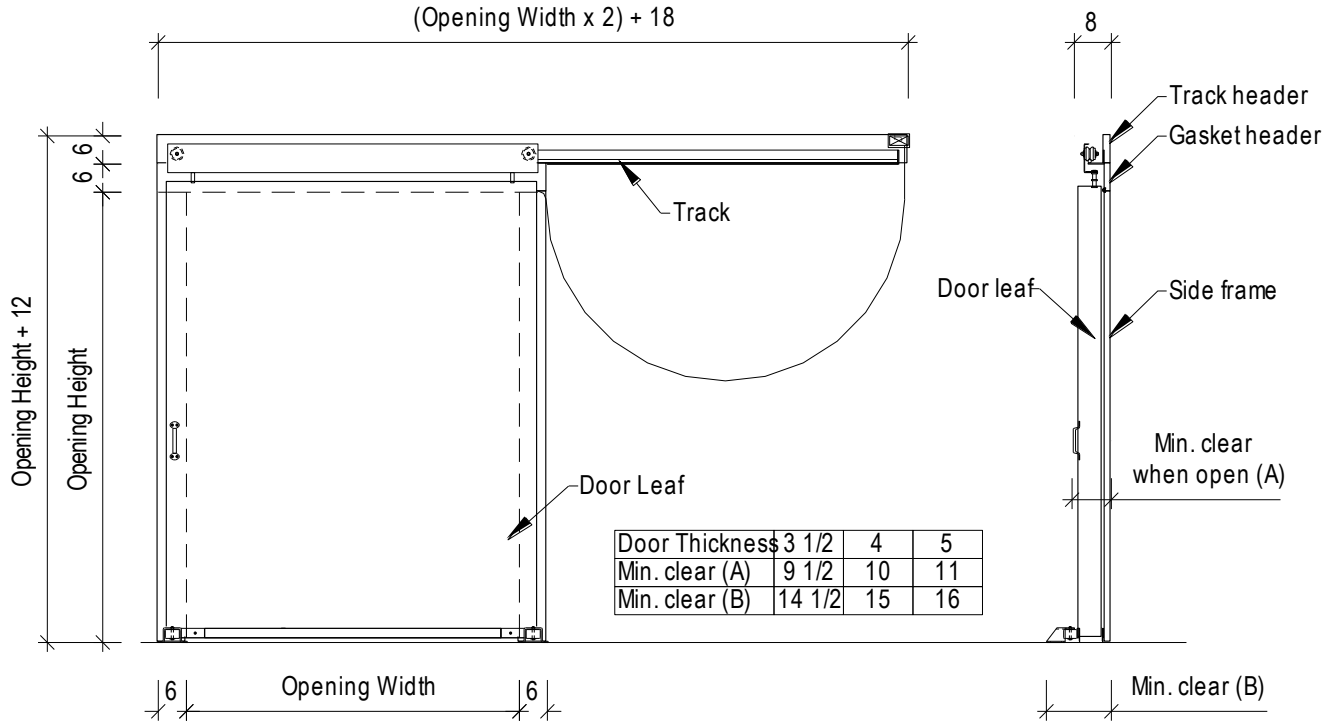
Job Number: _____

Job Name: _____

Date: _____

Quantity: _____

Horizontal Manual Sliding Door (Right Slide)



HSMR

Net Opening Width: _____ Height: _____	Door Type <input type="checkbox"/> Cooler <input type="checkbox"/> Freezer Temperature: _____°F	Door Panel Thickness: <input type="checkbox"/> 3 1/2" <input type="checkbox"/> 4" <input type="checkbox"/> 5"	Exterior Finish <input type="checkbox"/> Smooth <input type="checkbox"/> Stucco <input type="checkbox"/> Steel Galvanized <input type="checkbox"/> Steel White <input type="checkbox"/> Aluminum <input type="checkbox"/> Aluminum White <input type="checkbox"/> Stainless Steel* _____ <input type="checkbox"/> Galvanneal* _____ <input type="checkbox"/> Other _____ <input type="checkbox"/> Rigidized <input type="checkbox"/> Kickplates <input type="checkbox"/> Aluminum Diamond Tread <input type="checkbox"/> Galvanized <input type="checkbox"/> _____ *smooth only	Interior Finish <input type="checkbox"/> Smooth <input type="checkbox"/> Stucco <input type="checkbox"/> Steel Galvanized <input type="checkbox"/> Steel White <input type="checkbox"/> Aluminum <input type="checkbox"/> Aluminum White <input type="checkbox"/> Stainless Steel* _____ <input type="checkbox"/> Galvanneal* _____ <input type="checkbox"/> Other _____ <input type="checkbox"/> Rigidized <input type="checkbox"/> Kickplates <input type="checkbox"/> Aluminum Diamond Tread <input type="checkbox"/> Galvanized <input type="checkbox"/> _____ *smooth only
Options <input type="checkbox"/> Lock Hasp w/ Safety Release <input type="checkbox"/> Breaker Handle <input type="checkbox"/> Heated Threshold <input type="checkbox"/> Double Frame & Header <input type="checkbox"/> Return Jamb Wall Thickness: _____ <input type="checkbox"/> View Window <input type="checkbox"/> Non-Heated <input type="checkbox"/> Heated	Other _____ _____ _____ _____ _____ _____			

Charges will be assumed by buyer for changes or cancellations to work in process. Buyer hereby accepts responsibility for all sizes and dimensions. This order will not be processed until all acknowledgment forms are signed and returned.

Specifications Accepted by: _____

Date: _____



Phone: 1-877-320-3599
 Fax: 503.665.2929
www.rplusdoors.com

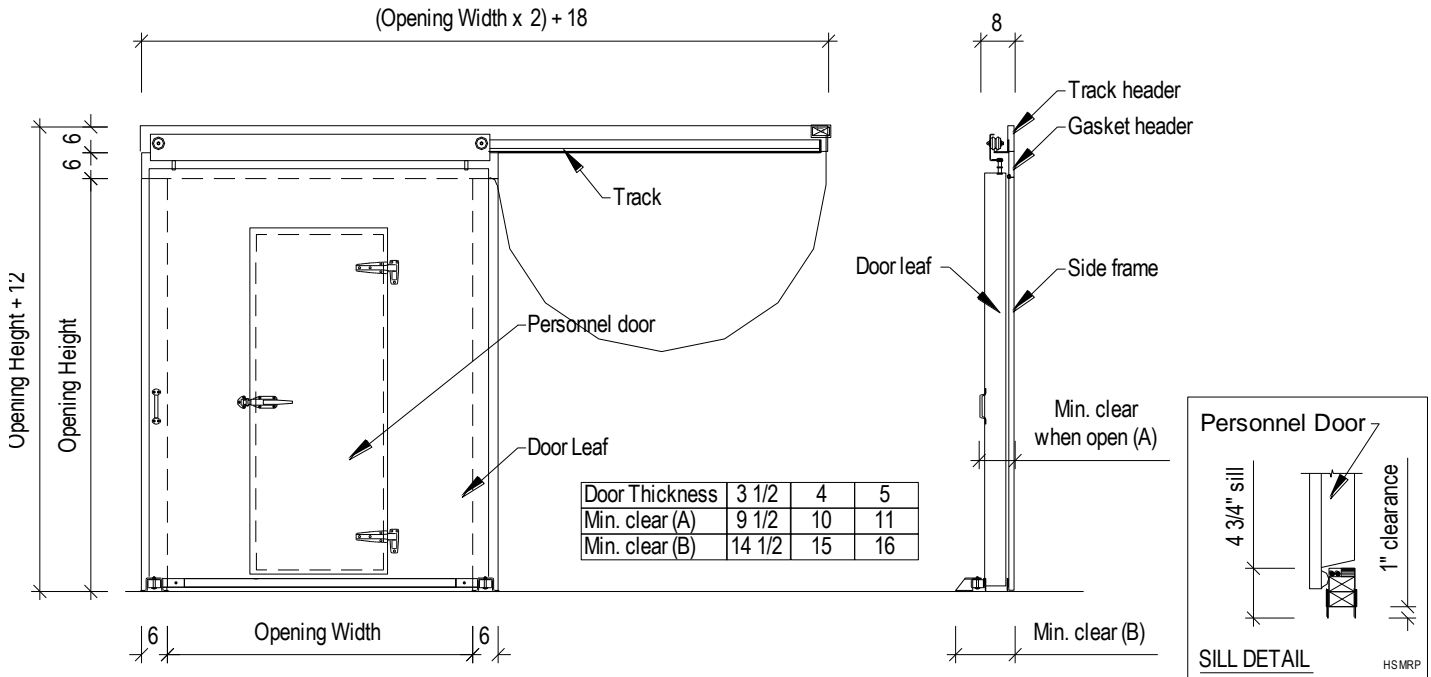
Job Number: _____

Job Name: _____

Date: _____

Quantity: _____

Horizontal Manual Sliding Door w/ Personnel Door (Right Slide, Right Hinge)



Net Opening Width: _____ Height: _____	Door Type <input type="checkbox"/> Cooler <input type="checkbox"/> Freezer Temperature: _____°F	Door Panel Thickness: <input type="checkbox"/> 3 1/2" <input type="checkbox"/> 4" <input type="checkbox"/> 5"	Exterior Finish <input type="checkbox"/> Smooth <input type="checkbox"/> Stucco <input type="checkbox"/> Steel Galvanized <input type="checkbox"/> Steel White <input type="checkbox"/> Aluminum <input type="checkbox"/> Aluminum White <input type="checkbox"/> Stainless steel* _____ <input type="checkbox"/> Galvanneal* _____ <input type="checkbox"/> Other _____ <input type="checkbox"/> Rigidized <input type="checkbox"/> Kickplates (<input type="checkbox"/> Swing / <input type="checkbox"/> Slider) <input type="checkbox"/> Aluminum Diamond Tread <input type="checkbox"/> Galvanized <input type="checkbox"/> _____ *smooth only	Interior Finish <input type="checkbox"/> Smooth <input type="checkbox"/> Stucco <input type="checkbox"/> Steel Galvanized <input type="checkbox"/> Steel White <input type="checkbox"/> Aluminum <input type="checkbox"/> Aluminum White <input type="checkbox"/> Stainless Steel* _____ <input type="checkbox"/> Galvanneal* _____ <input type="checkbox"/> Other _____ <input type="checkbox"/> Rigidized <input type="checkbox"/> Kickplates (<input type="checkbox"/> Swing / <input type="checkbox"/> Slider) <input type="checkbox"/> Aluminum Diamond Tread <input type="checkbox"/> Galvanized <input type="checkbox"/> _____ *smooth only
Options <input type="checkbox"/> Lock Hasp w/ Safety Release <input type="checkbox"/> Breaker Handle <input type="checkbox"/> Heated Threshold <input type="checkbox"/> Double Frame & Header <input type="checkbox"/> Return Jamb Wall Thickness: _____ <input type="checkbox"/> View Window (in wicket door) <input type="checkbox"/> Non-Heated <input type="checkbox"/> Heated	Wicket Door Width: _____ Height: _____ <input type="checkbox"/> Heat Cable <input type="checkbox"/> "D" Gasket <input type="checkbox"/> Magnetic Gasket <input type="checkbox"/> (_____) Hinges _____ <input type="checkbox"/> Latch/Strike _____ <input type="checkbox"/> Inside Release _____ <input type="checkbox"/> Closer _____ <input type="checkbox"/> Cylinder Lock _____ <input type="checkbox"/> Locking Bar _____			

Charges will be assumed by buyer for changes or cancellations to work in process. Buyer hereby accepts responsibility for all sizes and dimensions. This order will not be processed until all acknowledgment forms are signed and returned.

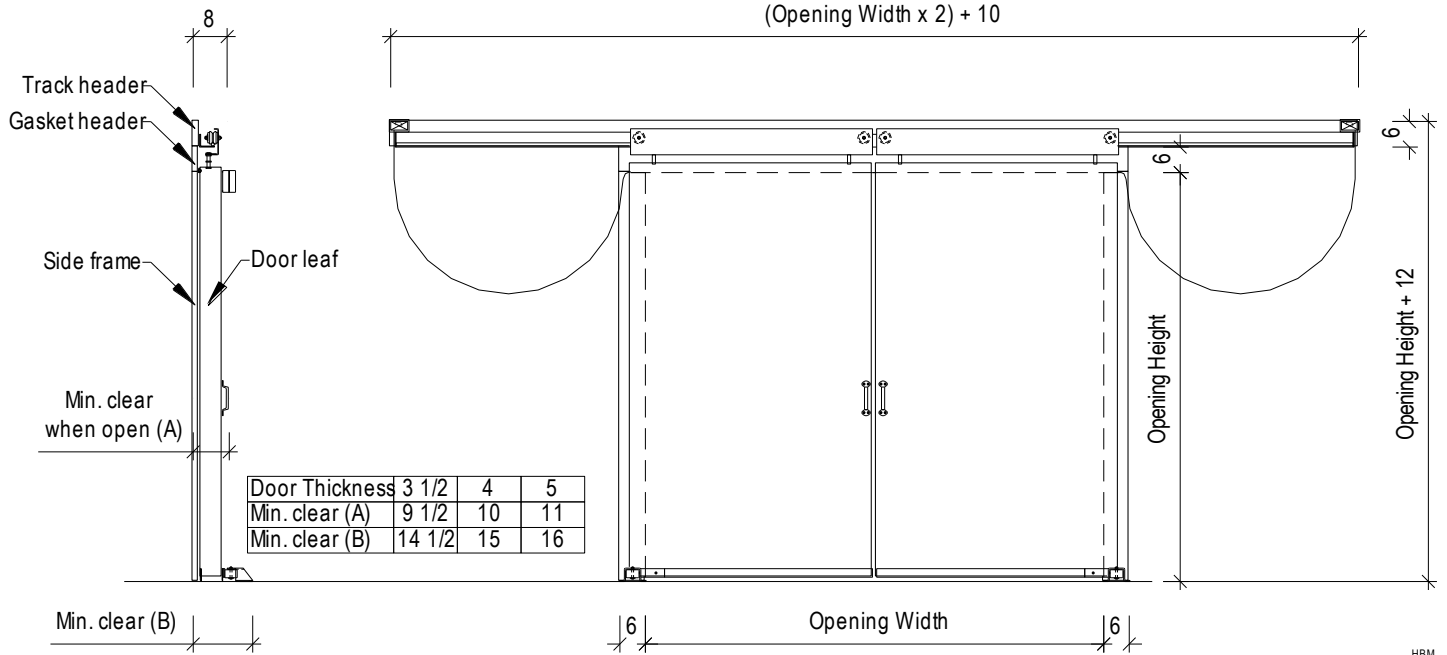
Specifications Accepted by: _____ Date: _____



Phone: 1-877-320-3599
 Fax: 503.665.2929
www.rplusdoors.com

Job Number: _____
 Job Name: _____
 Date: _____
 Quantity: _____

Horizontal Manual Biparting Sliding Door



Net Opening Width: _____ Height: _____		Door Type <input type="checkbox"/> Cooler <input type="checkbox"/> Freezer Temperature: _____ °F	Door Panel Thickness: <input type="checkbox"/> 3 1/2" <input type="checkbox"/> 4" <input type="checkbox"/> 5"	Exterior Finish <input type="checkbox"/> Smooth <input type="checkbox"/> Stucco <input type="checkbox"/> Steel Galvanized <input type="checkbox"/> Steel White <input type="checkbox"/> Aluminum <input type="checkbox"/> Aluminum White <input type="checkbox"/> Stainless Steel* _____ <input type="checkbox"/> Galvanneal* _____ <input type="checkbox"/> Other _____ <input type="checkbox"/> Rigidized <input type="checkbox"/> Kickplates <input type="checkbox"/> Aluminum Diamond Tread <input type="checkbox"/> Galvanized <input type="checkbox"/> _____ *smooth only	Interior Finish <input type="checkbox"/> Smooth <input type="checkbox"/> Stucco <input type="checkbox"/> Steel Galvanized <input type="checkbox"/> Steel White <input type="checkbox"/> Aluminum <input type="checkbox"/> Aluminum White <input type="checkbox"/> Stainless Steel* _____ <input type="checkbox"/> Galvanneal* _____ <input type="checkbox"/> Other _____ <input type="checkbox"/> Rigidized <input type="checkbox"/> Kickplates <input type="checkbox"/> Aluminum Diamond Tread <input type="checkbox"/> Galvanized <input type="checkbox"/> _____ *smooth only
Options <input type="checkbox"/> Lock Hasp w/ Safety Release <input type="checkbox"/> Breaker Handle <input type="checkbox"/> Heated Threshold <input type="checkbox"/> Double Frame & Header <input type="checkbox"/> Return Jamb Wall Thickness: _____ <input type="checkbox"/> View Window <input type="checkbox"/> Non-Heated <input type="checkbox"/> Heated		Other _____ _____ _____ _____ _____ _____			

Charges will be assumed by buyer for changes or cancellations to work in process. Buyer hereby accepts responsibility for all sizes and dimensions. This order will not be processed until all acknowledgment forms are signed and returned.

Specifications Accepted by: _____ Date: _____



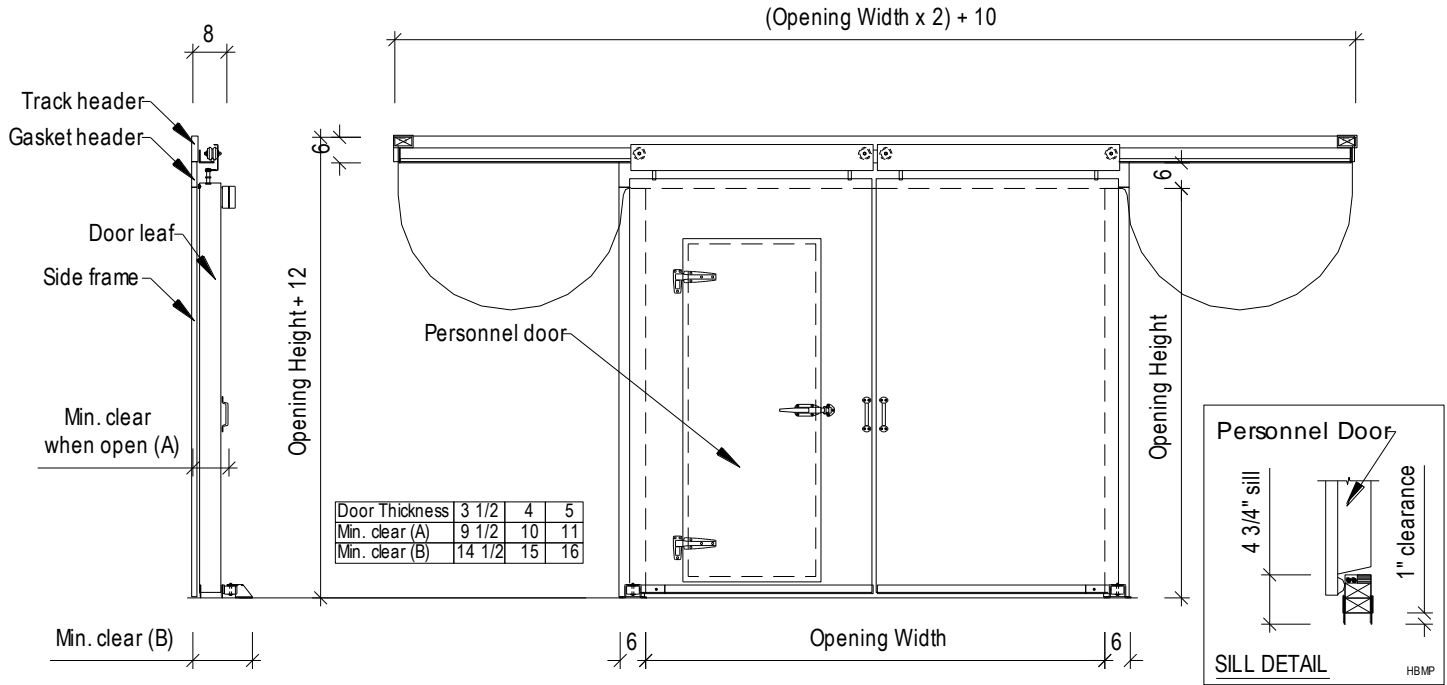
Job Number: _____

Job Name: _____

Date: _____

Quantity: _____

Horizontal Manual Biparting Sliding Door w/ Personnel Door (Left Hinge)



Net Opening Width: _____ Height: _____	Door Type <input type="checkbox"/> Cooler <input type="checkbox"/> Freezer Temperature: _____°F	Door Panel Thickness: <input type="checkbox"/> 3 1/2" <input type="checkbox"/> 4" <input type="checkbox"/> 5"	Exterior Finish <input type="checkbox"/> Smooth <input type="checkbox"/> Stucco <input type="checkbox"/> Steel Galvanized <input type="checkbox"/> Steel White <input type="checkbox"/> Aluminum <input type="checkbox"/> Aluminum White <input type="checkbox"/> Stainless steel* _____ <input type="checkbox"/> Galvanneal* _____ <input type="checkbox"/> Other _____ <input type="checkbox"/> Rigidized <input type="checkbox"/> Kickplates (<input type="checkbox"/> Swing / <input type="checkbox"/> Slider) <input type="checkbox"/> Aluminum Diamond Tread <input type="checkbox"/> Galvanized <input type="checkbox"/> _____ *smooth only	Interior Finish <input type="checkbox"/> Smooth <input type="checkbox"/> Stucco <input type="checkbox"/> Steel Galvanized <input type="checkbox"/> Steel White <input type="checkbox"/> Aluminum <input type="checkbox"/> Aluminum White <input type="checkbox"/> Stainless Steel* _____ <input type="checkbox"/> Galvanneal* _____ <input type="checkbox"/> Other _____ <input type="checkbox"/> Rigidized <input type="checkbox"/> Kickplates (<input type="checkbox"/> Swing / <input type="checkbox"/> Slider) <input type="checkbox"/> Aluminum Diamond Tread <input type="checkbox"/> Galvanized <input type="checkbox"/> _____ *smooth only
Options <input type="checkbox"/> Lock Hasp w/ Safety Release <input type="checkbox"/> Breaker Handle <input type="checkbox"/> Heated Threshold <input type="checkbox"/> Double Frame & Header <input type="checkbox"/> Return Jamb Wall Thickness: _____ <input type="checkbox"/> View Window (in wicket door) <input type="checkbox"/> Non-Heated <input type="checkbox"/> Heated	Wicket Door Width: _____ Height: _____ <input type="checkbox"/> Heat Cable <input type="checkbox"/> "D" Gasket <input type="checkbox"/> Magnetic Gasket <input type="checkbox"/> (_____) Hinges _____ <input type="checkbox"/> Latch/Strike _____ <input type="checkbox"/> Inside Release _____ <input type="checkbox"/> Closer _____ <input type="checkbox"/> Cylinder Lock _____ <input type="checkbox"/> Locking Bar _____			

Charges will be assumed by buyer for changes or cancellations to work in process. Buyer hereby accepts responsibility for all sizes and dimensions. This order will not be processed until all acknowledgment forms are signed and returned.

Specifications Accepted by: _____ Date: _____