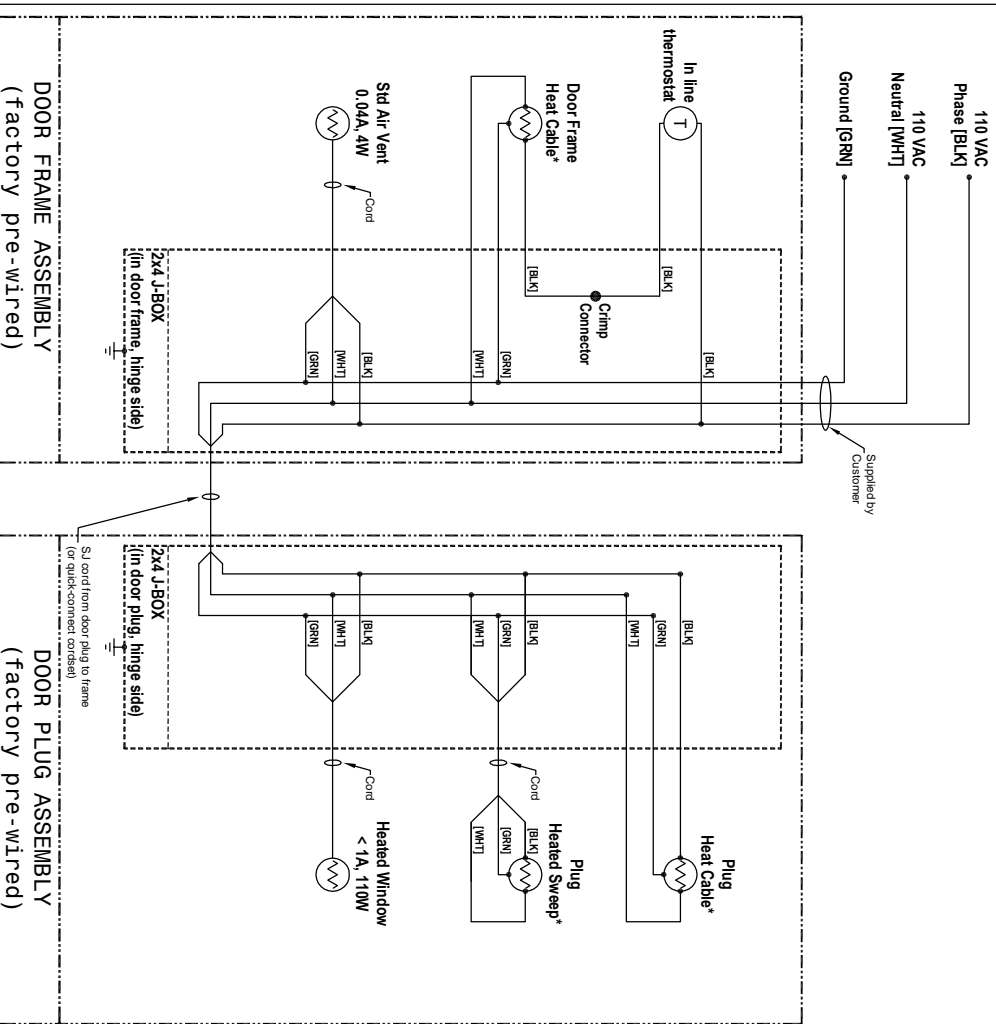


SWING DOOR PLUG AND FRAME TYPICAL COMPONENTS



*Refer to door drawings for electrical specifications

R-Plus Doors Rev 7 : 07/27/20
1-877-320-3599

WARNING: Improper wiring may result in electrical shock, death and/or fire.

Field wiring should be done by a licensed professional electrician. All local building codes and laws for electrical installation to be followed.

NOTE: Light circuit wiring, door switch and alarm wiring (latch side of door frame NIC, by field electrician. See alarm mfg for alarm wiring diagrams. All applicable permits by others.

